

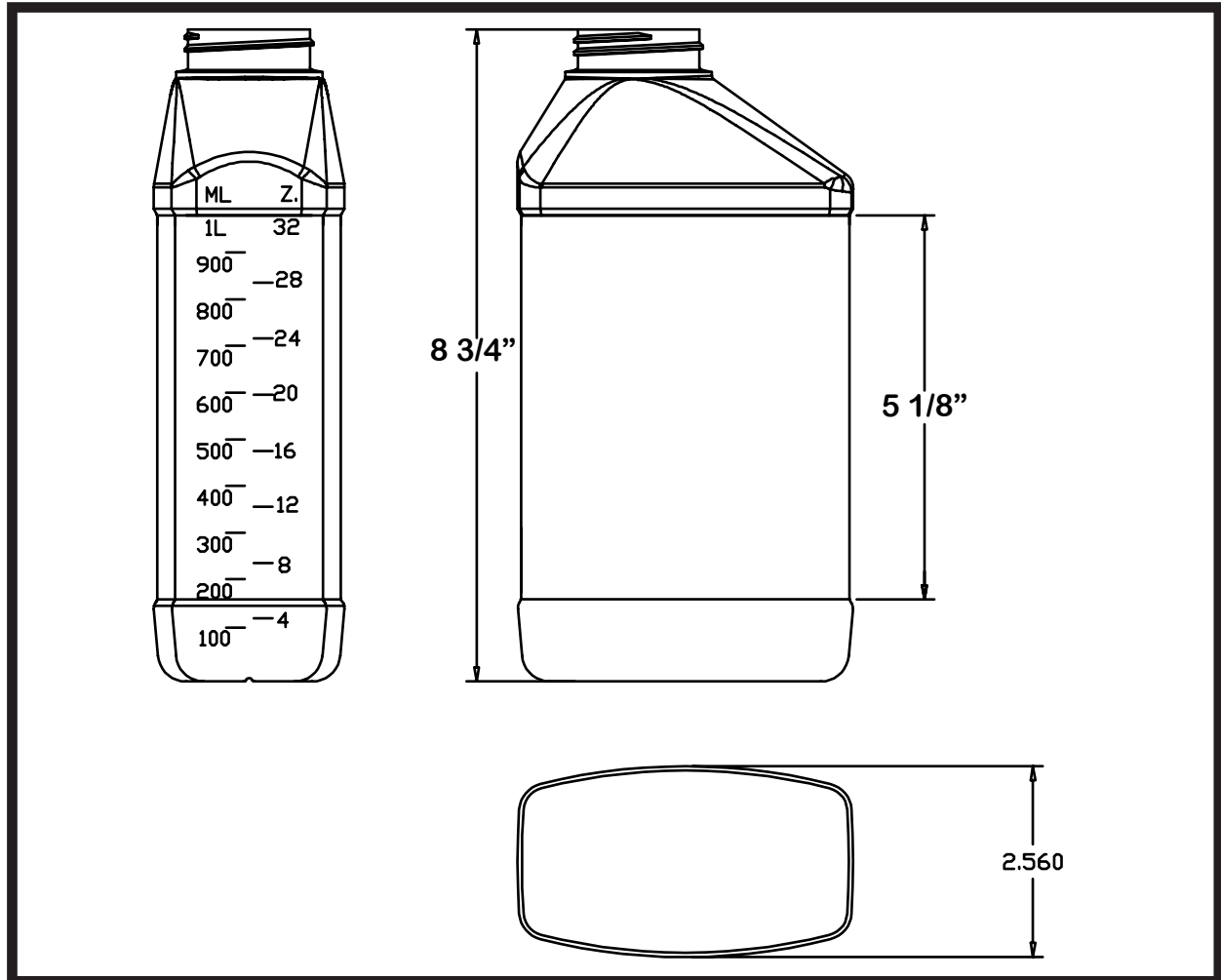


**PARAGON PACKAGING INC.**

**1-800-899-1010**

**WWW.PARAGON-PACKAGING.COM**

## **32 Ounce Rectangle Offset Neck 45-400 With View Stripe**



**MATERIAL:** HDPE

**NECK FINISH:** 45-400

**WEIGHT:** 67 GRAMS

**BOTTLE HEIGHT:**  $8 \frac{3}{4}''$

**BOTTLE PANEL:**  $5 \frac{1}{8}''$

**WIDTH:** 2.560

**CAPACITY:** 32 OUNCES



**BULK PACK:** 138 EA.

**UNIT PACK:** 1,242 EA.  
9 CASES PER UNIT