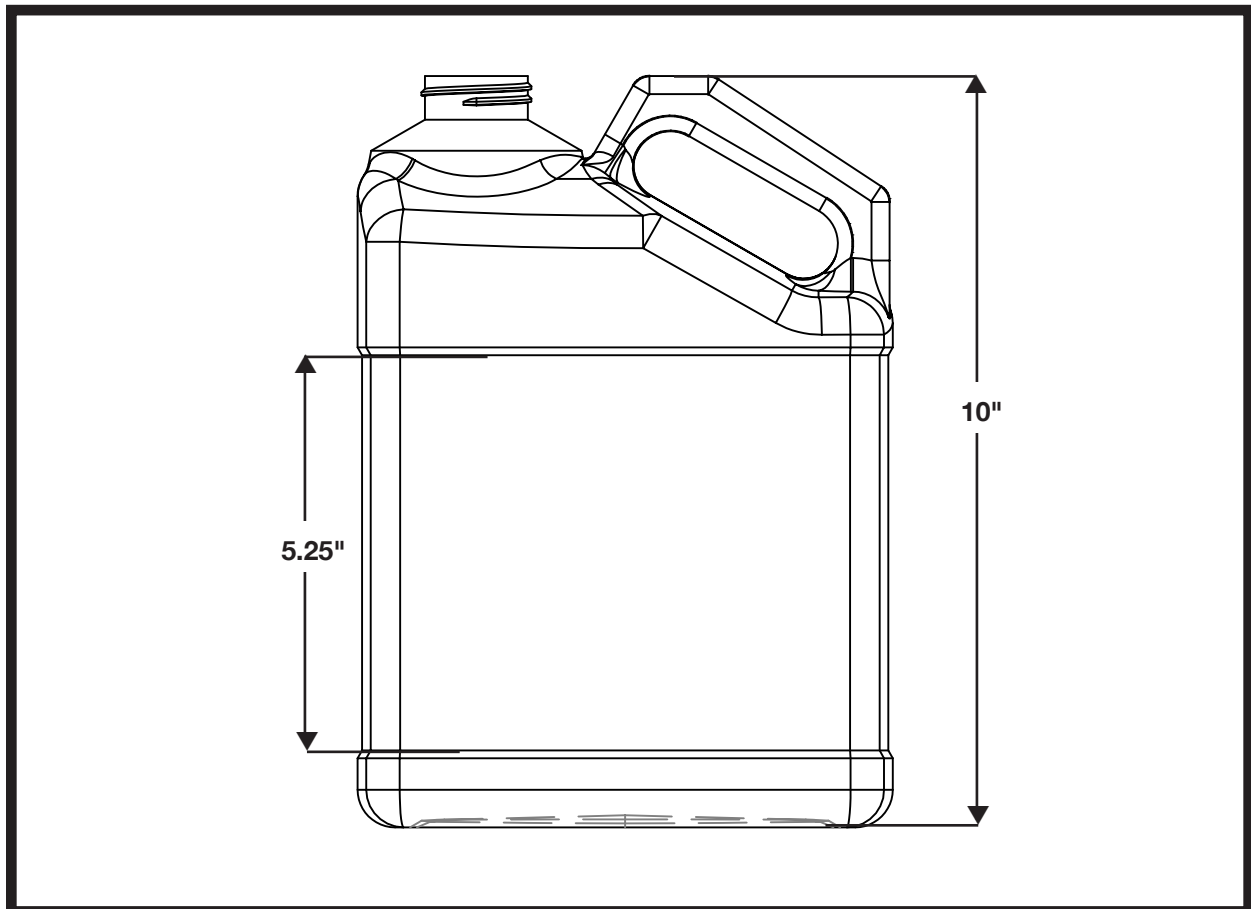


One Gallon Slant Handle



MATERIAL: HDPE

NECK FINISH: 38-400, 63-485

WEIGHT: 155 GRAMS

BOTTLE HEIGHT: 10"

PANEL HEIGHT: 5 1/4"

DIAMETER: N/A

CAPACITY: 128 OUNCES



SILKSCREEN DIMENSIONS:

4 1/2 " Height X 5 1/2" Width

CASE PACK: N/A

UNIT PACK: 265 EA. / TRAY PACK