

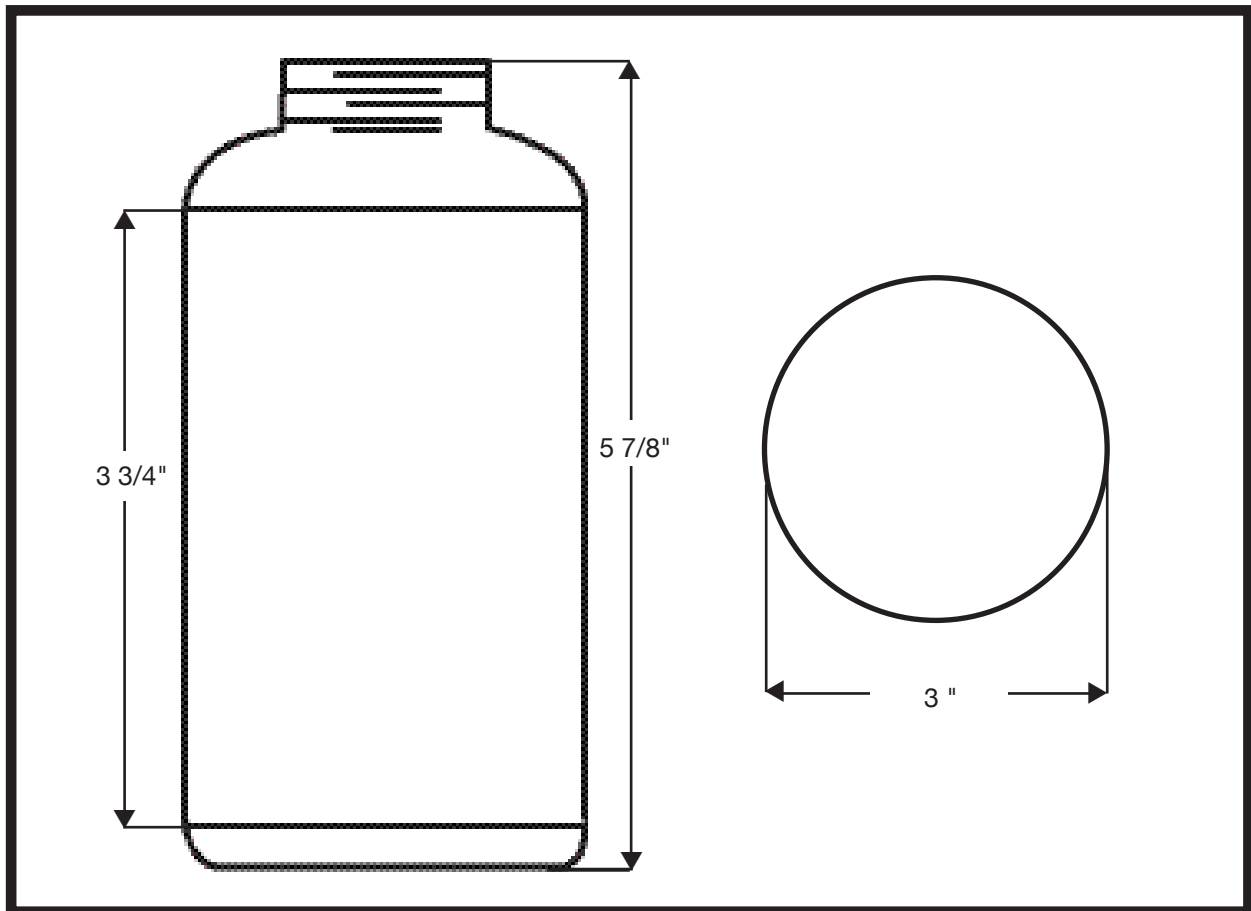


**PARAGON PACKAGING INC.**

**1-800-899-1010**

**WWW.PARAGON-PACKAGING.COM**

## 500CC Packer



**MATERIAL:** HDPE

**NECK FINISH:** 53-400

**WEIGHT:** 40 GRAMS

**BOTTLE HEIGHT:** 5 7/8"

**PANEL HEIGHT:** 3 3/4"

**DIAMETER:** 3"

**CAPACITY:** 500cc



**PACK:** 144 EA. (Bulk)

**UNIT PACK:** 2304 EA.