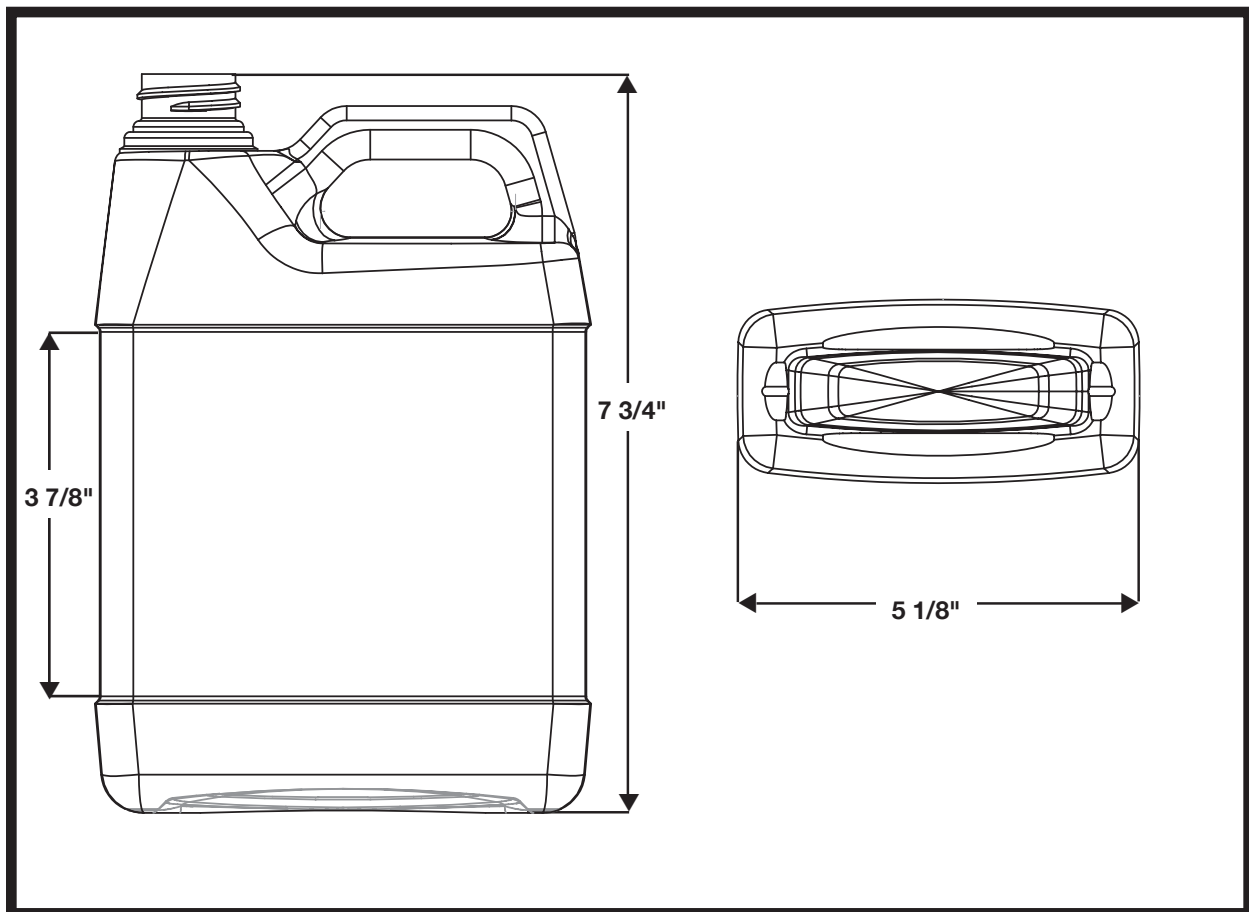


32 Ounce F-Style



MATERIAL: HDPE

NECK FINISH: 28-400

WEIGHT: 65 GRAMS

BOTTLE HEIGHT: 7 3/4"

BOTTLE PANEL: 3 7/8"

DIAMETER: N/A

CAPACITY: 32 OUNCES



SILKSCREEN DIMENSIONS:
3 1/2" Width X 3 1/2" Height

CASE PACK: 65 EA.

UNIT PACK: 1 ,560 EA.