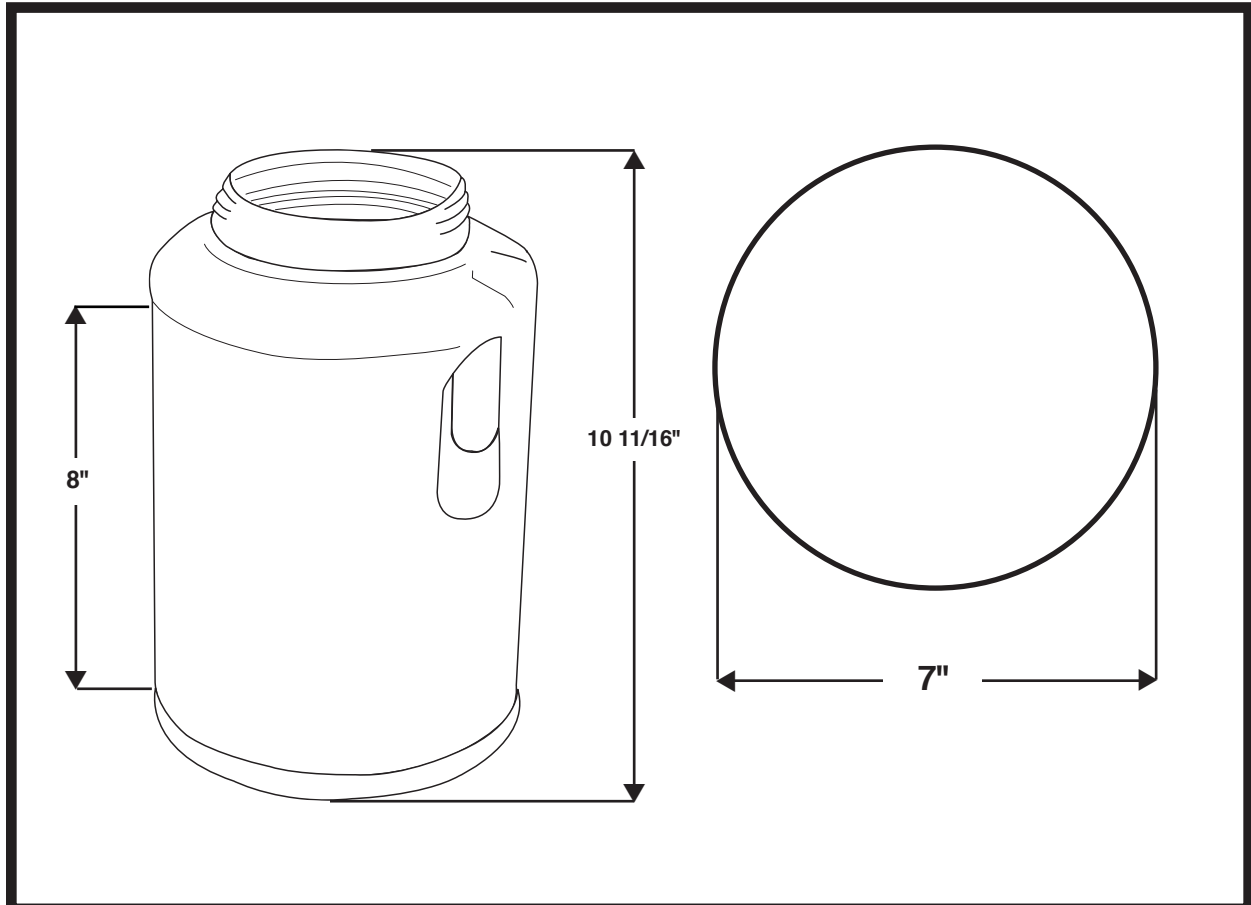


160 OZ Jar 110-400 CRC



MATERIAL: HDPE

NECK FINISH: 110-400 CRC

WEIGHT: 160 GRAMS

BOTTLE HEIGHT: 10 11/16"

PANEL HEIGHT: 8 "

DIAMETER: 7"

CAPACITY: 160 OZ.

SILKSCREEN DIMENSIONS:

13" WIDTH x 7 1/2" HEIGHT

CASE PACK: 36 EA.

UNIT PACK: 216 EA.

