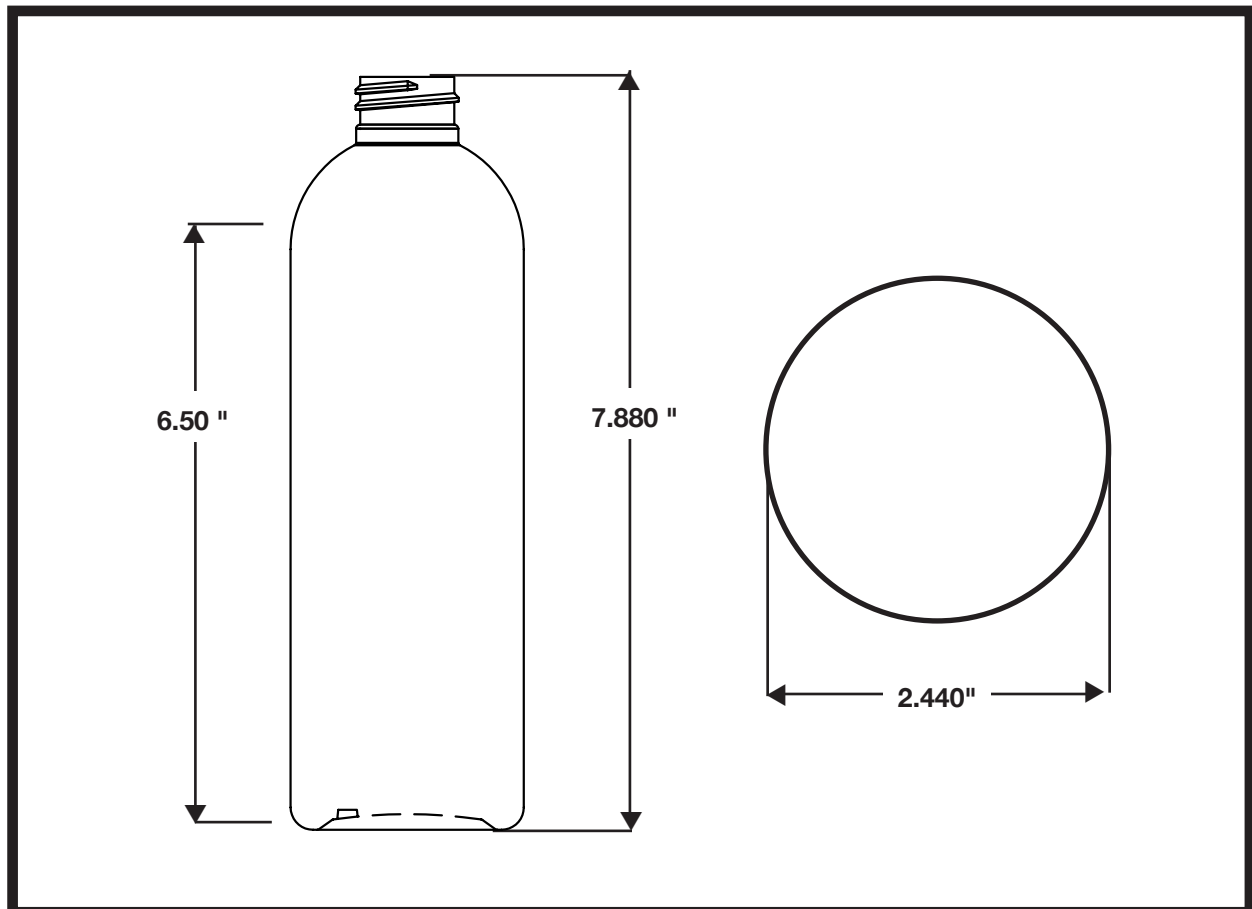


## 16 Ounce Bullet



**MATERIAL:** HDPE

**NECK FINISH:** 28-410

**WEIGHT:** 35 GRAMS

**BOTTLE HEIGHT:** 7.880"

**PANEL HEIGHT:** 5.500"

**DIAMETER:** 2.440"

**CAPACITY:** 16 OUNCES



**SILKSCREEN DIMENSIONS:**

7.5" Width x 5.5" Height

**CASE PACK:** 186 Ea.

**UNIT PACK:** 2,976 EA.