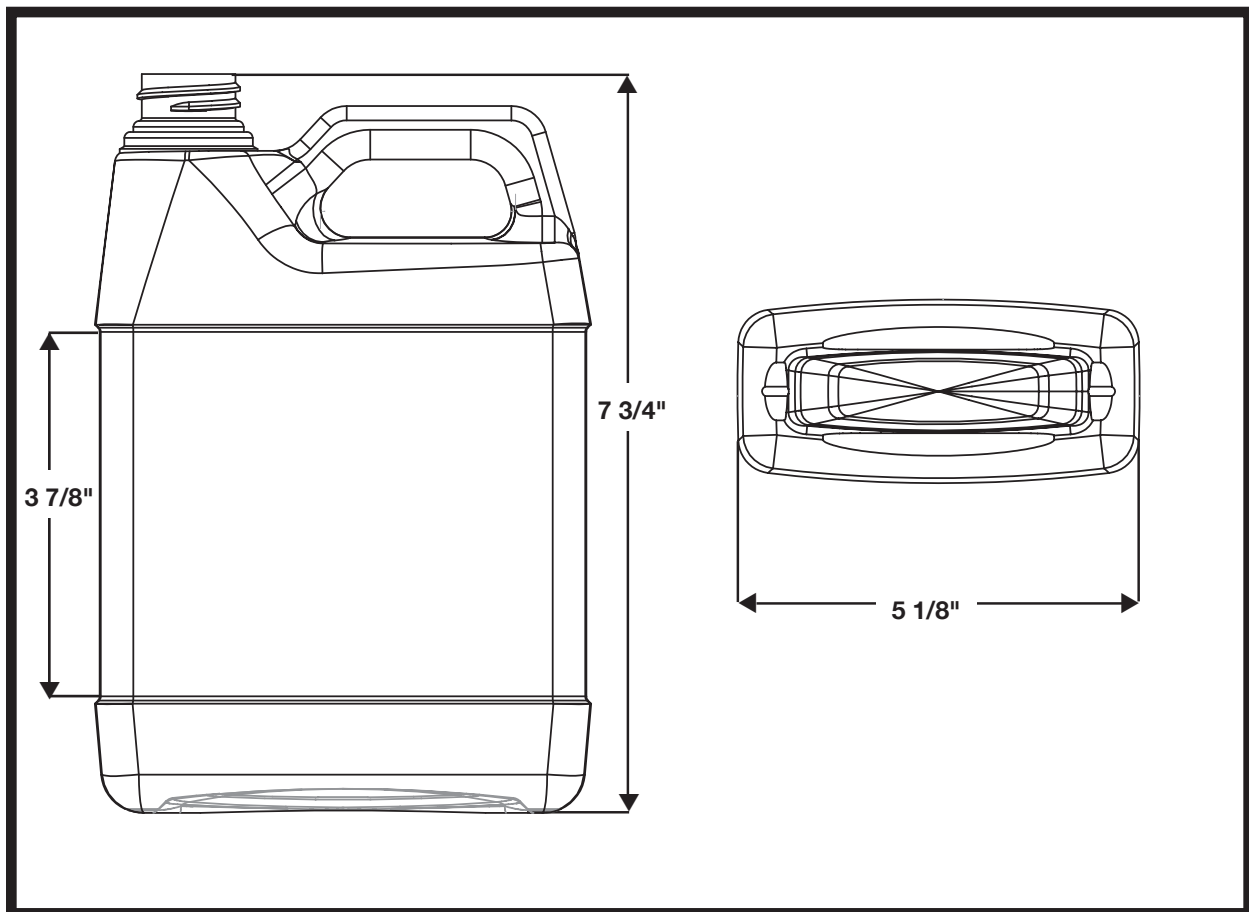


## 32 Ounce F-Style



**MATERIAL:** HDPE

**NECK FINISH:** 28-400

**WEIGHT:** 65 GRAMS

**BOTTLE HEIGHT:** 7 3/4"

**BOTTLE PANEL:** 3 7/8"

**DIAMETER:** N/A

**CAPACITY:** 32 OUNCES



**SILKSCREEN DIMENSIONS:**  
3 1/2" Width X 3 1/2" Height

**CASE PACK:** 65 EA.

**UNIT PACK:** 1 ,560 EA.