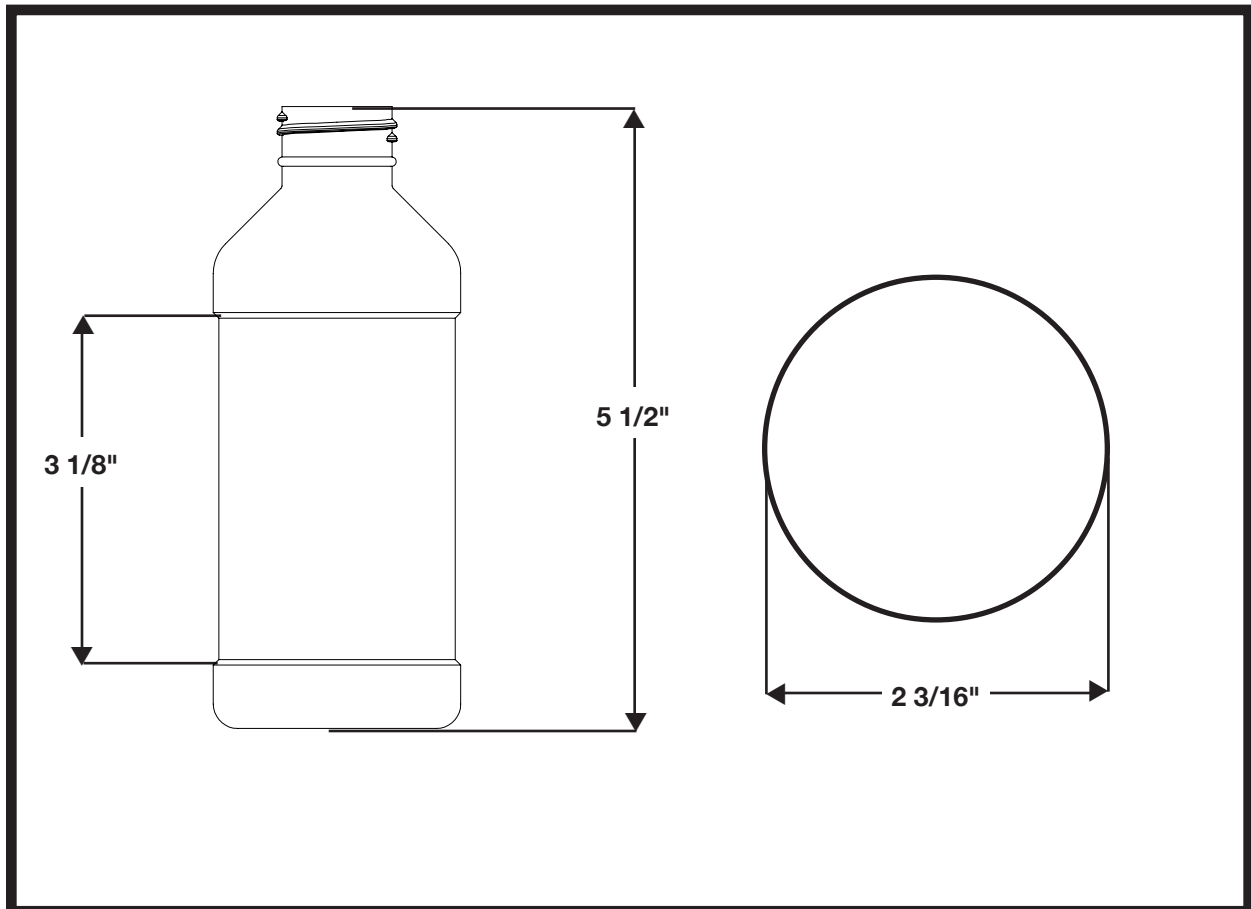


8 Ounce Modern Round



MATERIAL: HDPE

NECK FINISH: 28-410,28-410
Ratchet Finish, 28mm Drop
Lock Finish

WEIGHT: 20 GRAMS

BOTTLE HEIGHT: 5 1/2"

PANEL HEIGHT: 3 1/8"

DIAMETER: 2 3/16"

CAPACITY: 8 OUNCES



SILKSCREEN DIMENSIONS:

6" Width x 2 1/2" Height

CASE PACK, BULK: 330 Ea.

UNIT PACK, BULK: 5,280 Ea.