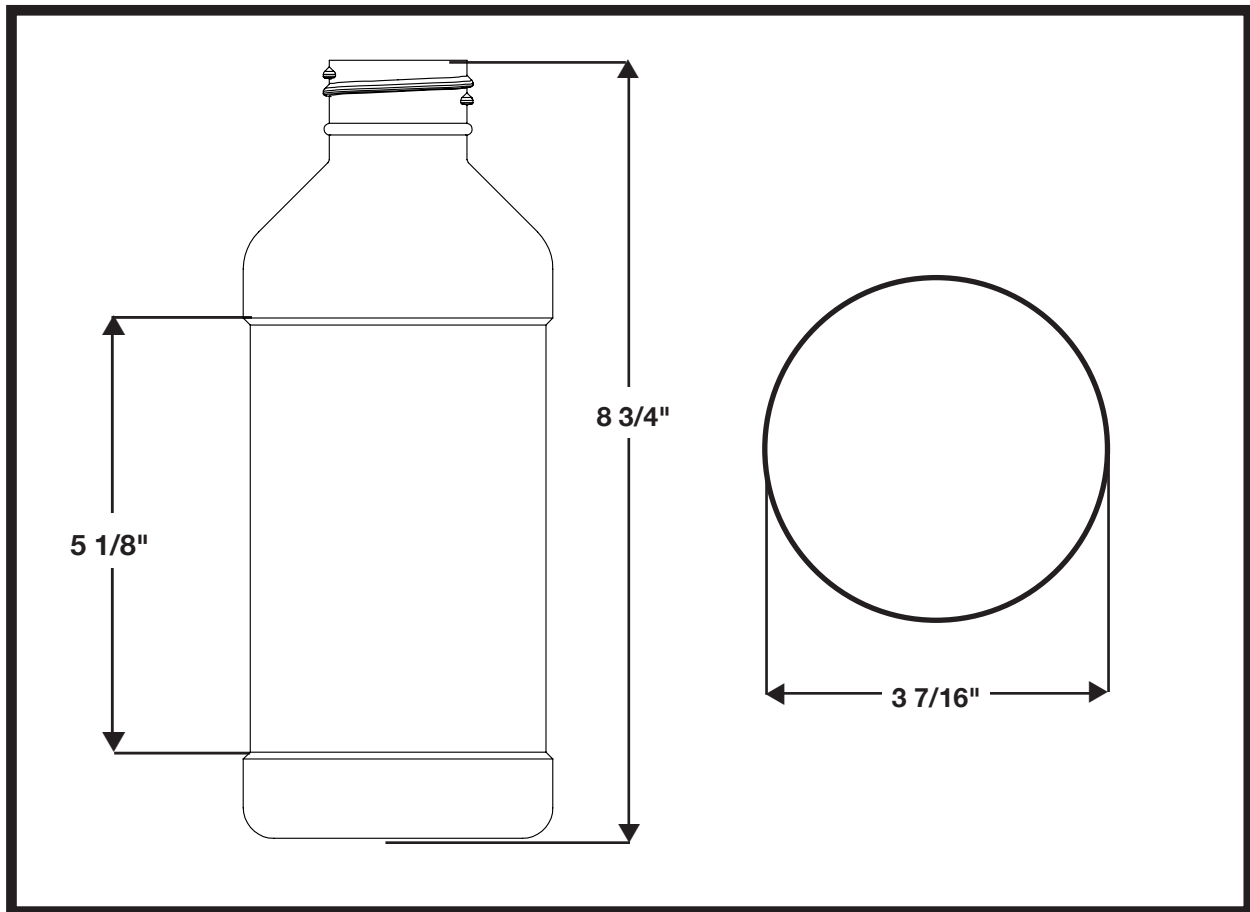


## 32 Ounce Modern Round



**MATERIAL:** HDPE

**NECK FINISH:** 28-410

**WEIGHT:** 55 GRAMS

**BOTTLE HEIGHT:** 8 3/4"

**BOTTLE PANEL:** 5 1/8"

**DIAMETER:** 3 7/16"

**CAPACITY:** 32 OUNCES



**SILKSCREEN DIMENSIONS:**

4 1/2" Height X 9 1/2" Width

**CASE PACK:** 132 EA.

**UNIT PACK:** 1188 EA