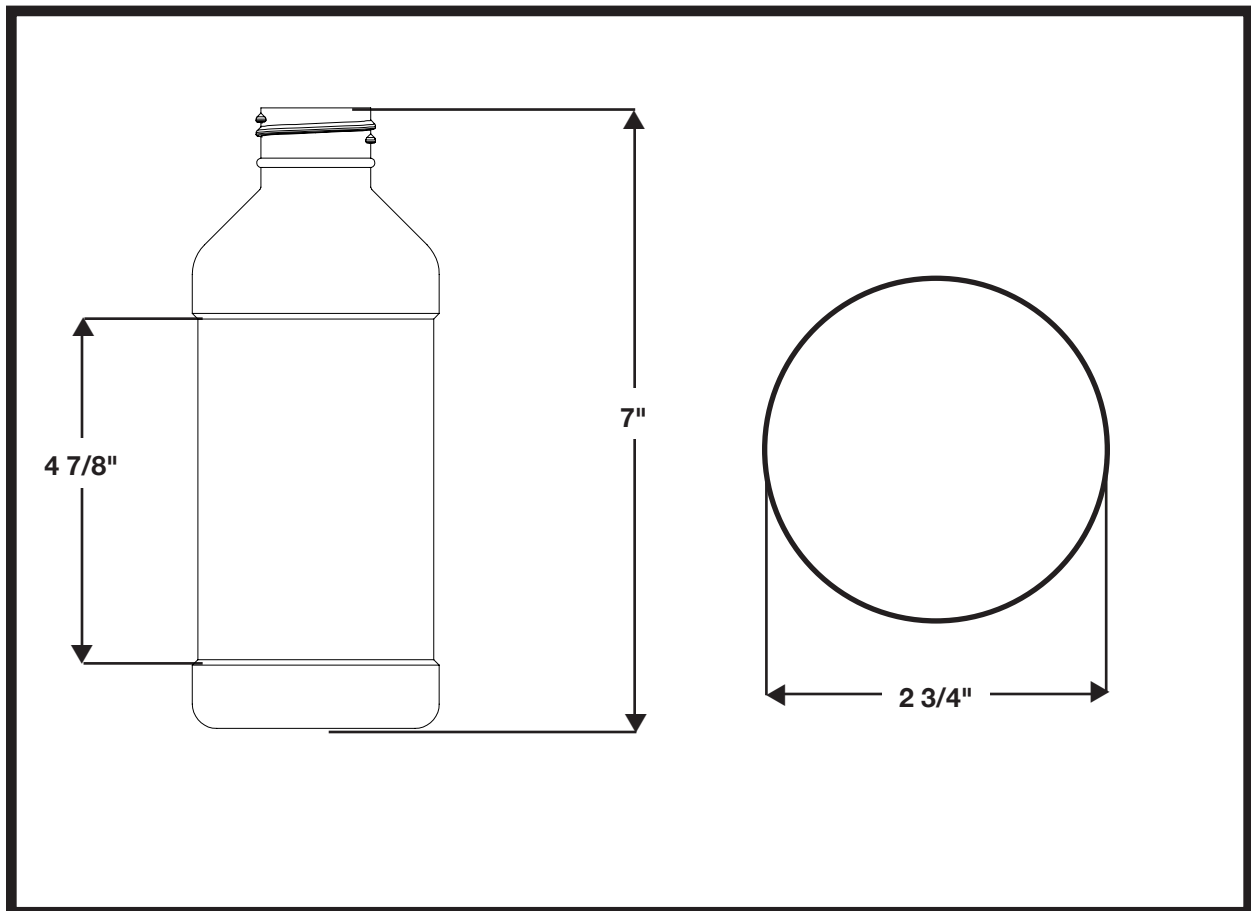


16 Ounce Modern Round



MATERIAL: HDPE

NECK FINISH: 28-410, 28-410
Ratchet Finish, 28mm Drop
Lock Finish

WEIGHT: 30 GRAMS

BOTTLE HEIGHT: 7"

PANEL HEIGHT: 4 7/8"

DIAMETER: 2 3/4"

CAPACITY: 16 OUNCES



SILKSCREEN DIMENSIONS:

7 1/2" Width x 3 3/4" Height

CASE PACK, BULK: 264 Ea.

UNIT PACK, BULK: 2,376 Ea.