

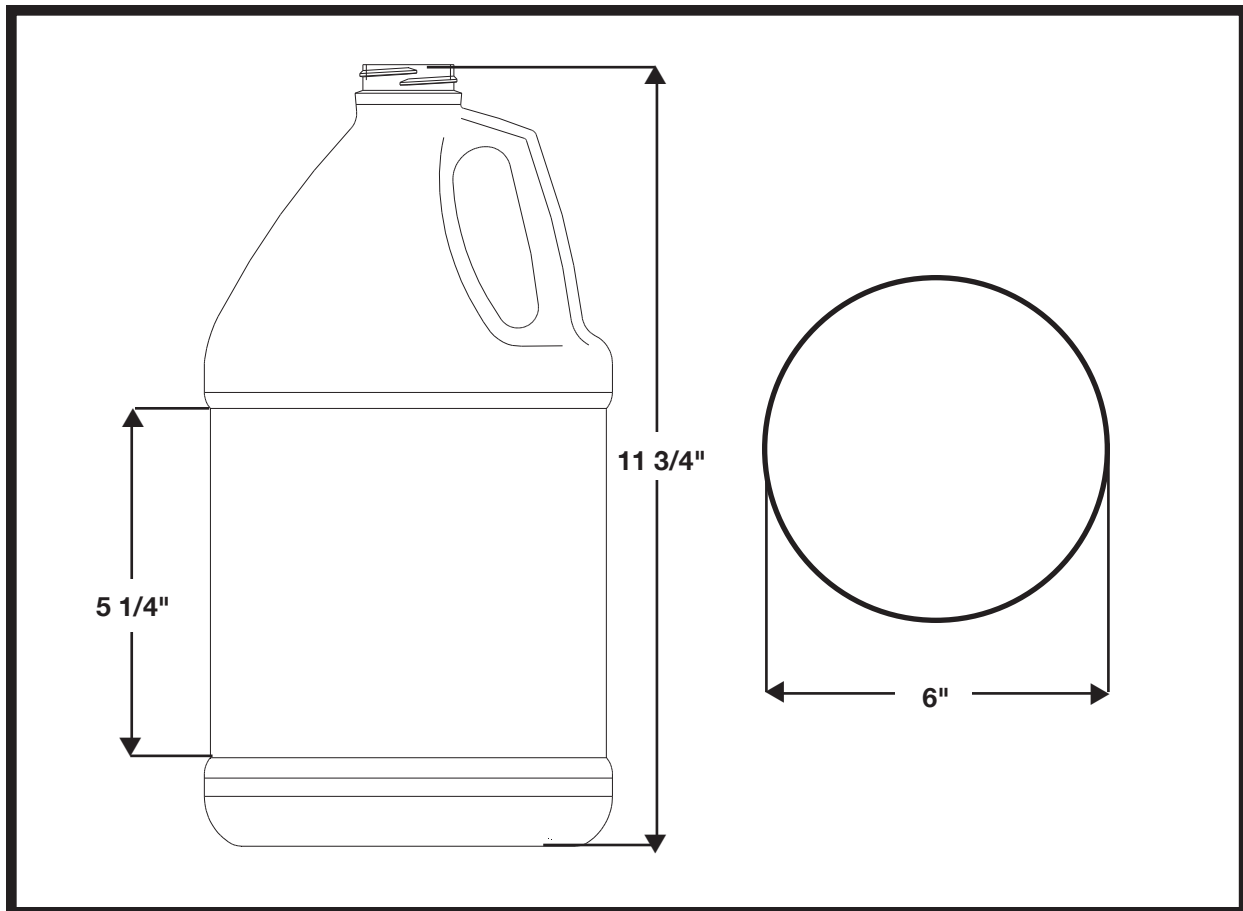


PARAGON PACKAGING INC.

1-800-899-1010

WWW.PARAGON-PACKAGING.COM

80014 Gallon - Industrial



MATERIAL: HDPE

NECK FINISH: 38-400

WEIGHT: 120 GRAMS

BOTTLE HEIGHT: 11 3/4"

PANEL HEIGHT: 5 1/4"

DIAMETER: 6"

CAPACITY: 128 OUNCES



SILKSCREEN DIMENSIONS:

4 1/2" HEIGHT X 17" WIDTH

CASE PACK: BULK - 48 EA., 6/1, 4/1

UNIT PACK, BULK - 48 EA., 6/1, 4/1
192 EA