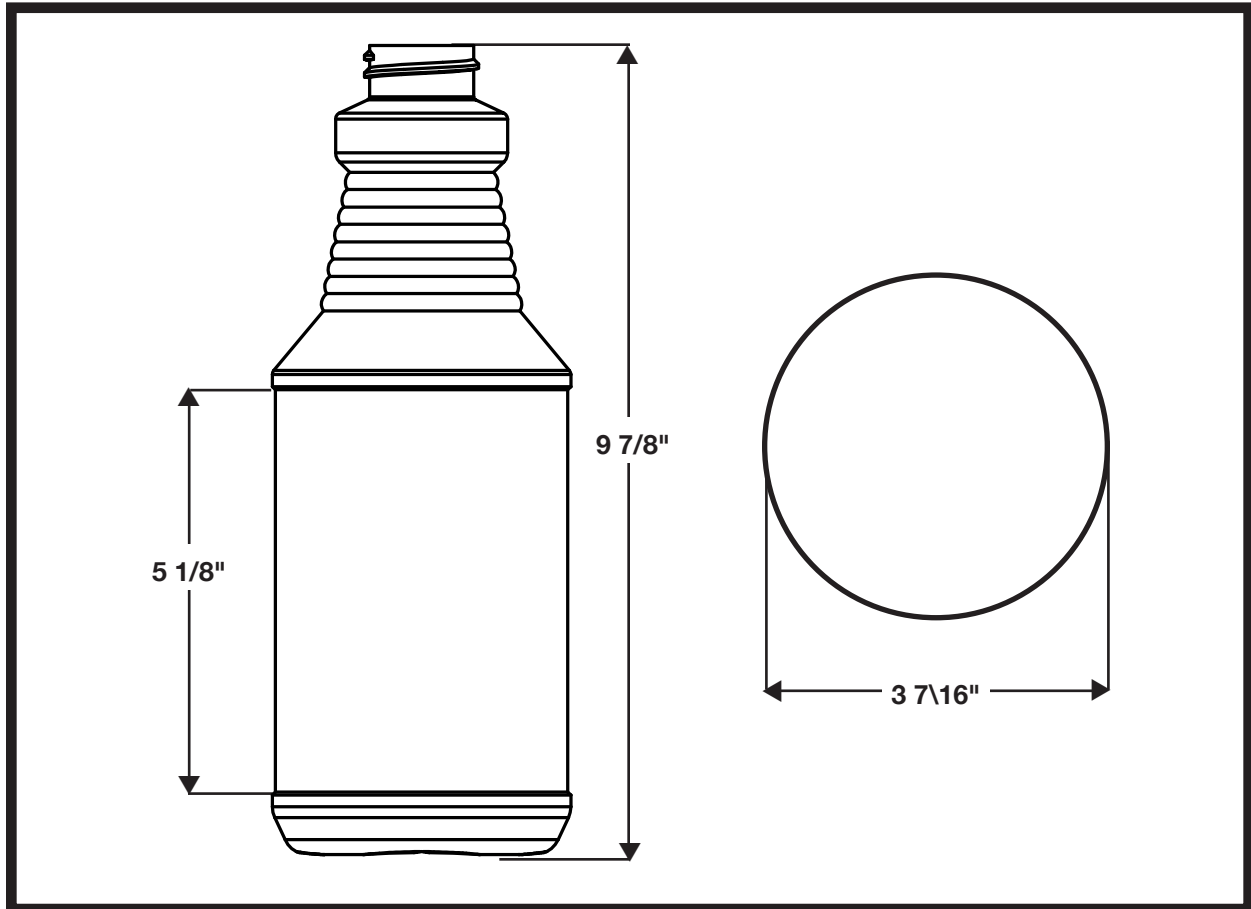


32 Ounce Ring Neck Carafe



MATERIAL: HDPE

NECK FINISH: 28-400

WEIGHT: 50 GRAMS

BOTTLE HEIGHT: 9 7/8"

BOTTLE PANEL: 5 1/8"

DIAMETER: 3 7/16"

CAPACITY: 32 OUNCES



SILKSCREEN DIMENSIONS:
10" Width X 4 1/2" Height

PACK: 135 EA.

UNIT PACK: 1,215 EA.