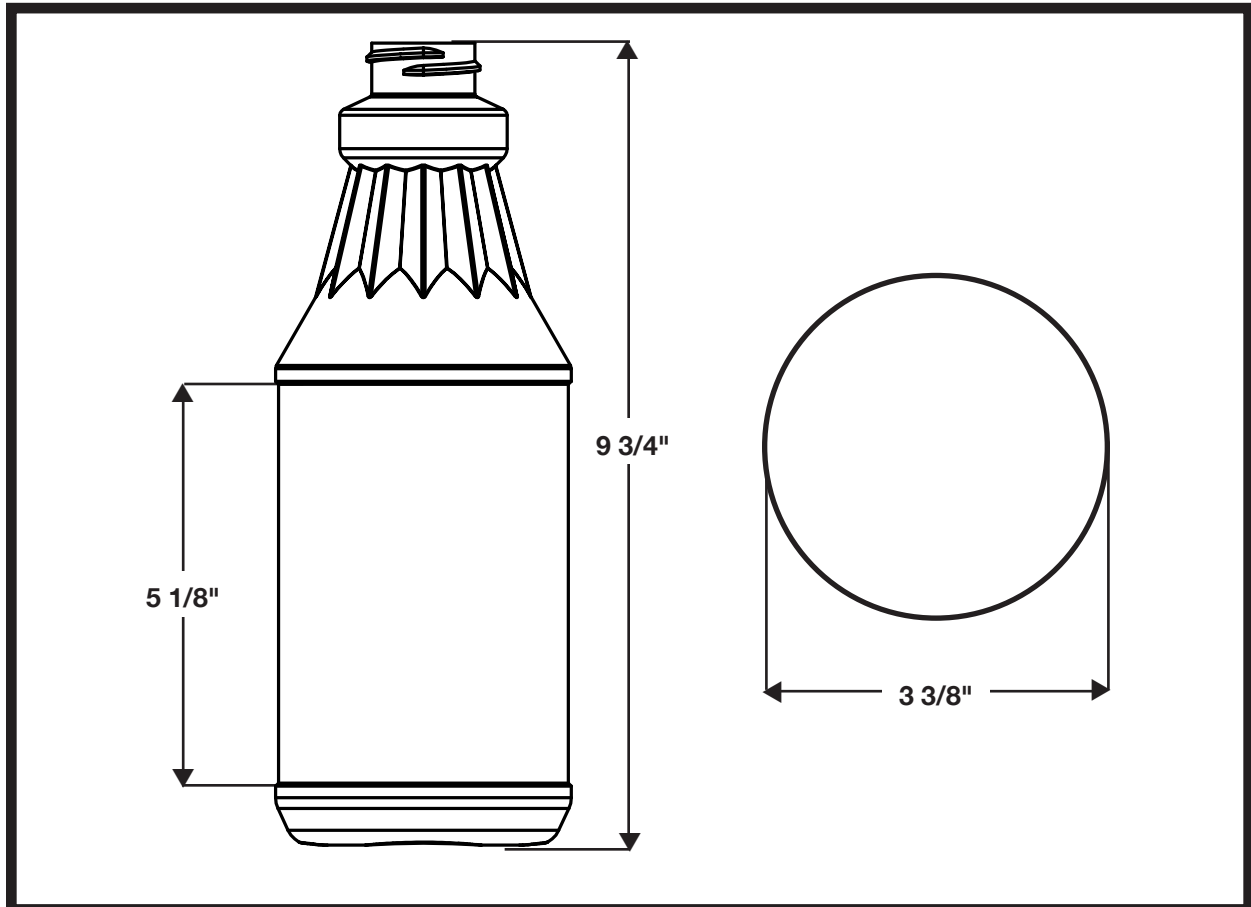


## 32 Ounce Fluted Decanter



**MATERIAL:** HDPE

**NECK FINISH:** 28-400 & 28-410

**WEIGHT:** 50 GRAMS

**BOTTLE HEIGHT:** 9 3/4"

**BOTTLE PANEL:** 5 1/8"

**DIAMETER:** 3 3/8"

**CAPACITY:** 32 OUNCES



**SILKSCREEN DIMENSIONS:**

9 1/4" Width X 4 1/2" Height

**PACK:** 135 EA.

**UNIT PACK:** 1,215 EA.