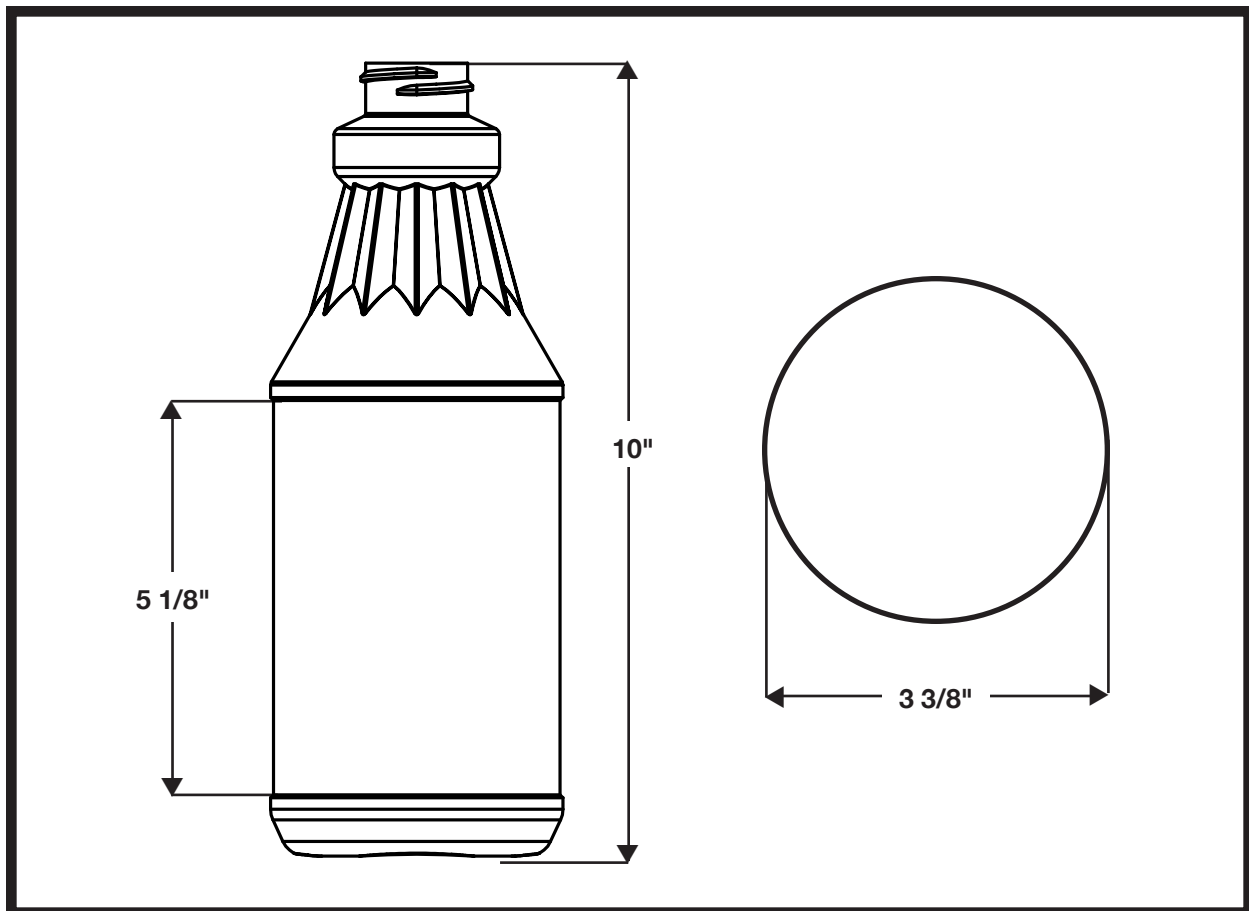


1 Liter Fluted Decanter



MATERIAL: HDPE

NECK FINISH: 28-400

WEIGHT: 50 GRAMS

BOTTLE HEIGHT: 10"

BOTTLE HEIGHT: 5 1/8"

DIAMETER: 3 3/8"

CAPACITY: 1 Liter 33.8oz.



SILKSCREEN DIMENSIONS:

4 1/2" Height X 9 1/4" Width

PACK: BULK, 12/1

CASE PACK, BULK: 135 Ea.

UNIT PACK, 12/1: 1215 Ea.