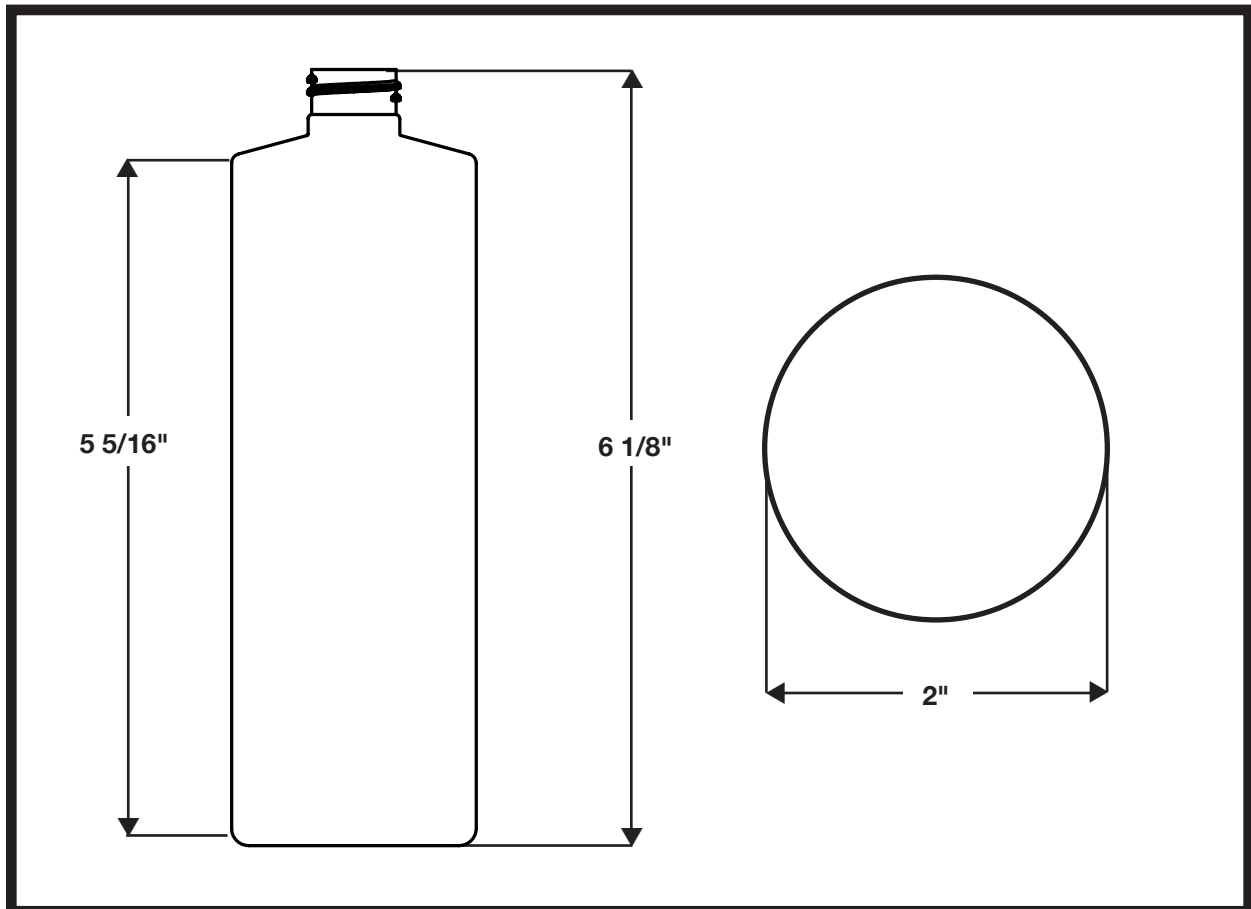


8 Ounce Cylinder



MATERIAL: HDPE

NECK FINISH: 24-410 & 38-400

WEIGHT: 20 GRAMS

BOTTLE HEIGHT: 6 1/8"

PANEL HEIGHT: 5 5/16"

DIAMETER: 2"

CAPACITY: 8 OUNCES



SILKSCREEN DIMENSIONS:

5.1/2" Width" x 4.1/2" Height

CASE PACK, BULK: 360 Ea.

UNIT PACK, BULK: 5,760 Ea.