

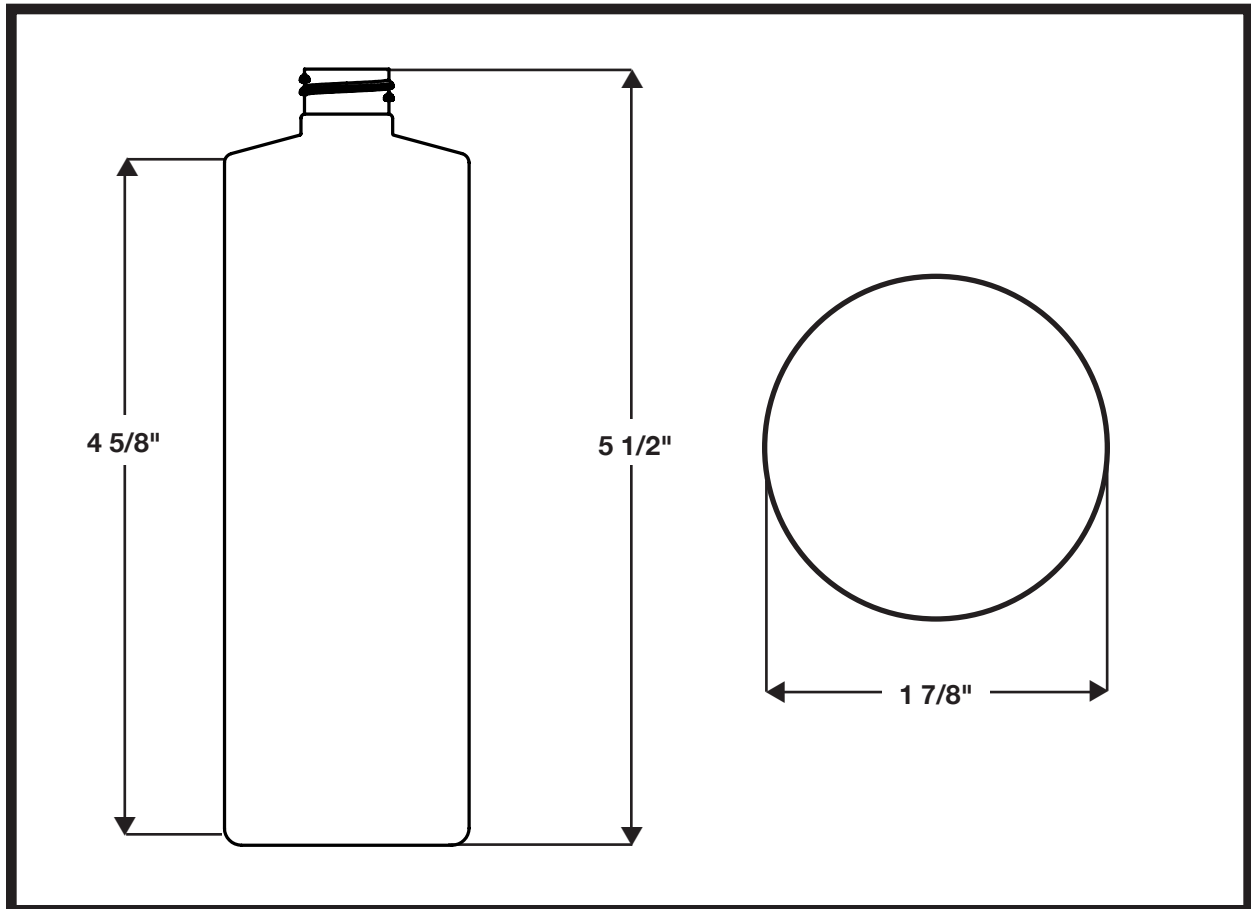


PARAGON PACKAGING INC.

1-800-899-1010

WWW.PARAGON-PACKAGING.COM

6 Ounce Cylinder



MATERIAL: HDPE

NECK FINISH: 24-410

WEIGHT: 18 GRAMS

BOTTLE HEIGHT: 5 1/2"

PANEL HEIGHT: 4 5/8"

DIAMETER: 1 7/8"

CAPACITY: 6 OUNCES



SILKSCREEN DIMENSIONS:

5 1/2" Width X 4" Height

CASE PACK, BULK: 440 Ea.

UNIT PACK, BULK: 7,040 Ea.