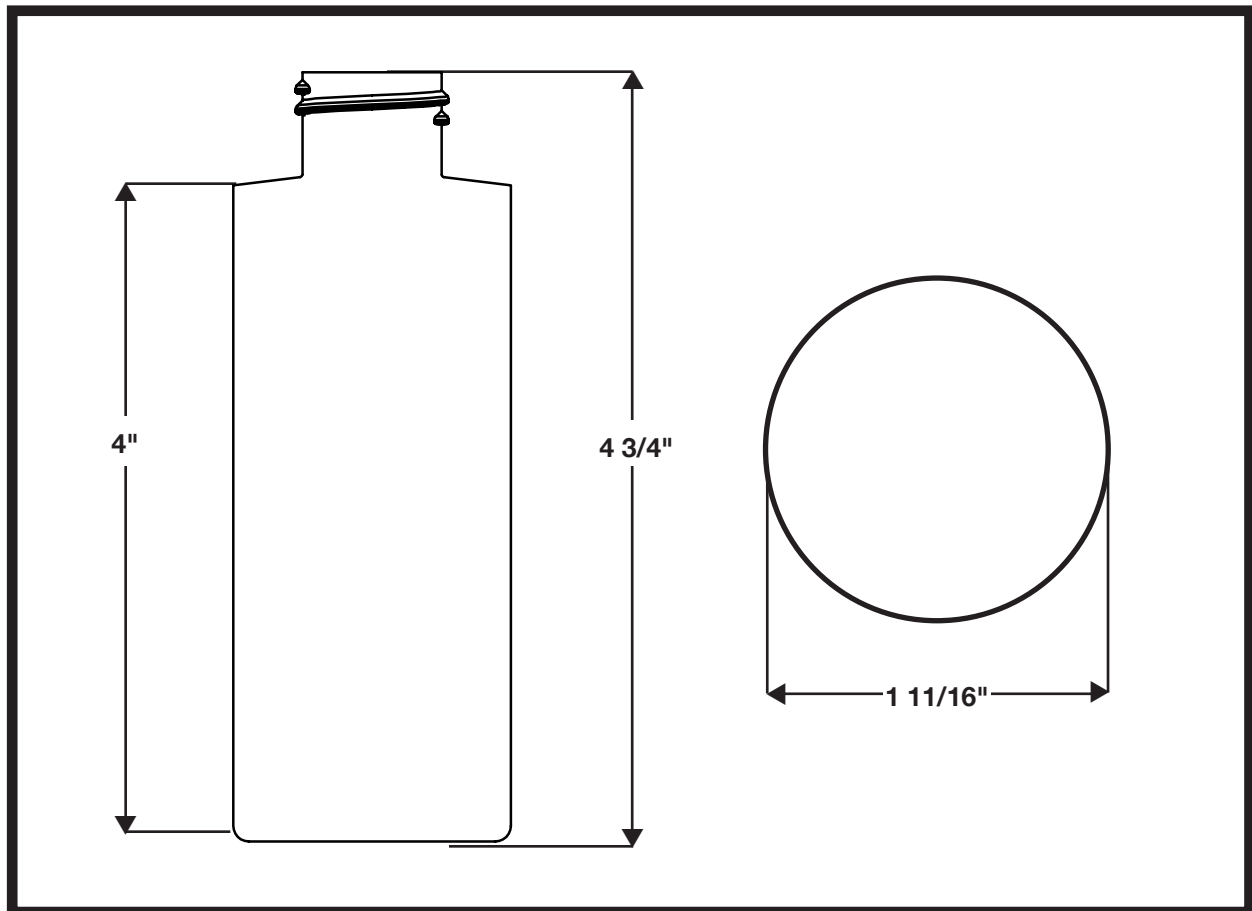


4 Ounce Cylinder



MATERIAL: HDPE

NECK FINISH: 24-410

WEIGHT: 15 GRAMS

BOTTLE HEIGHT: 4 3/4"

PANEL HEIGHT: 4"

DIAMETER: 1 11/16"

CAPACITY: 4 OUNCES



SILKSCREEN DIMENSIONS:

4 3/4" Width x 3 1/2" Height

CASE PACK, BULK: 728 Ea.

UNIT PACK, BULK: 11,648 Ea.