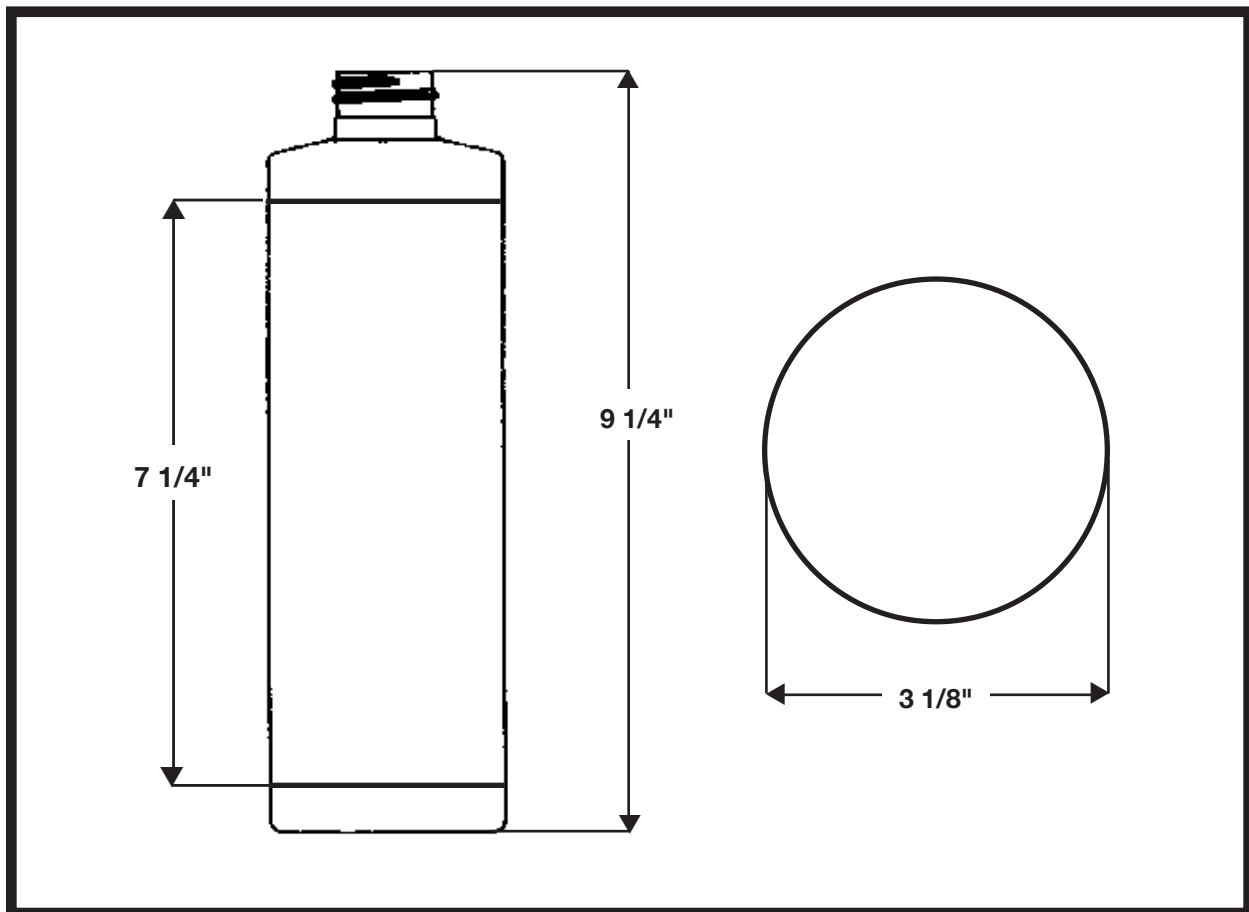


32 Ounce Indented Panel Cylinder



MATERIAL: HDPE

NECK FINISH: 28-410

WEIGHT: 60 GRAMS

HEIGHT: 9 1/4"

DIAMETER: 3 1/8"

CAPACITY: 32 OUNCES



SILKSCREEN DIMENSIONS:
6 1/2" X 9 1/2"

CASE PACK: 150 EA.

UNIT PACK: 1350 EA