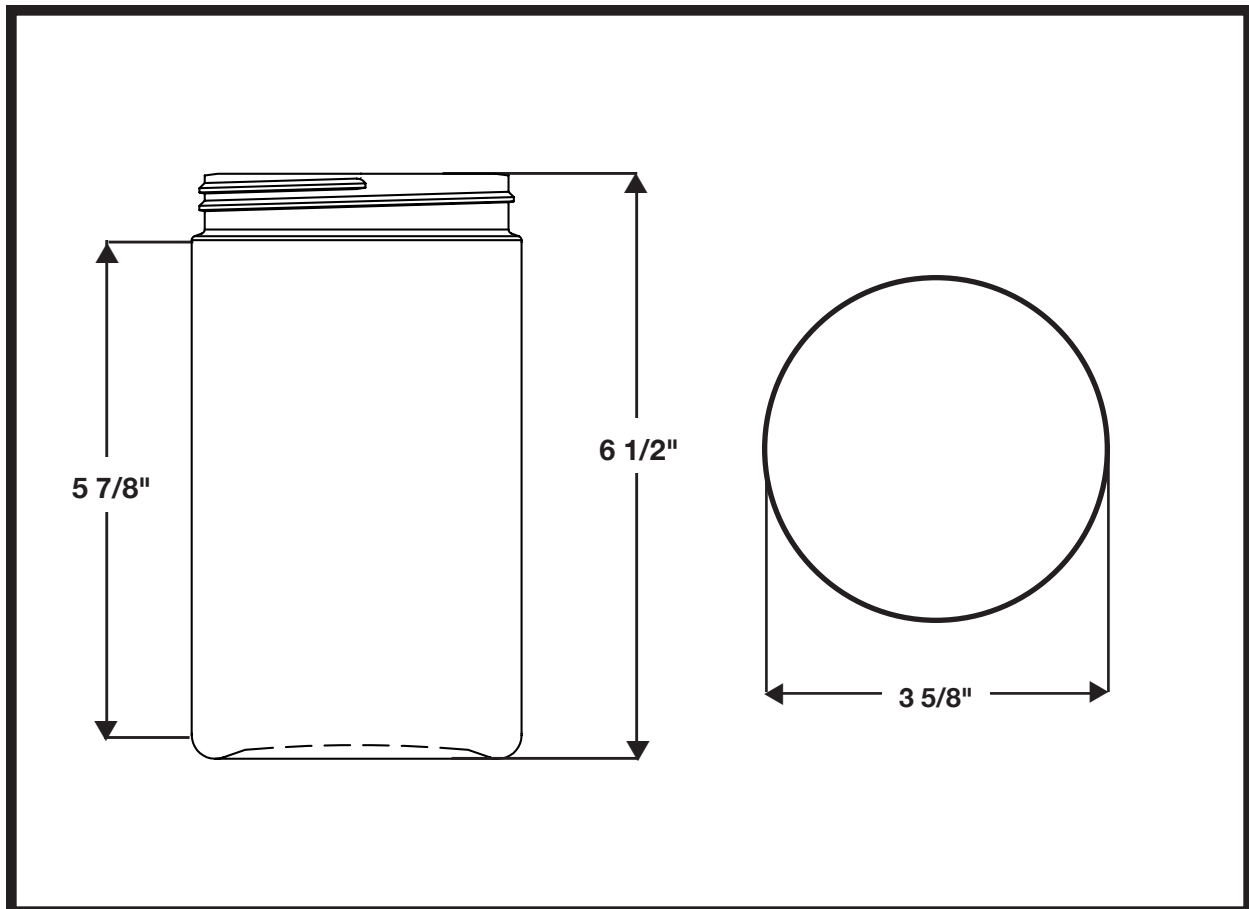


32 Ounce Cylinder Jar



MATERIAL: HDPE

NECK FINISH: 89-400

WEIGHT: 55 GRAMS

BOTTLE HEIGHT: 6 1/2"

BOTTLE PANEL: 5 7/8"

DIAMETER: 3 5/8"

CAPACITY: 32 OUNCES



SILKSCREEN DIMENSIONS:
5" Height X 11" Width

CASE PACK: 160 EA.

UNIT PACK: 1,440 EA.