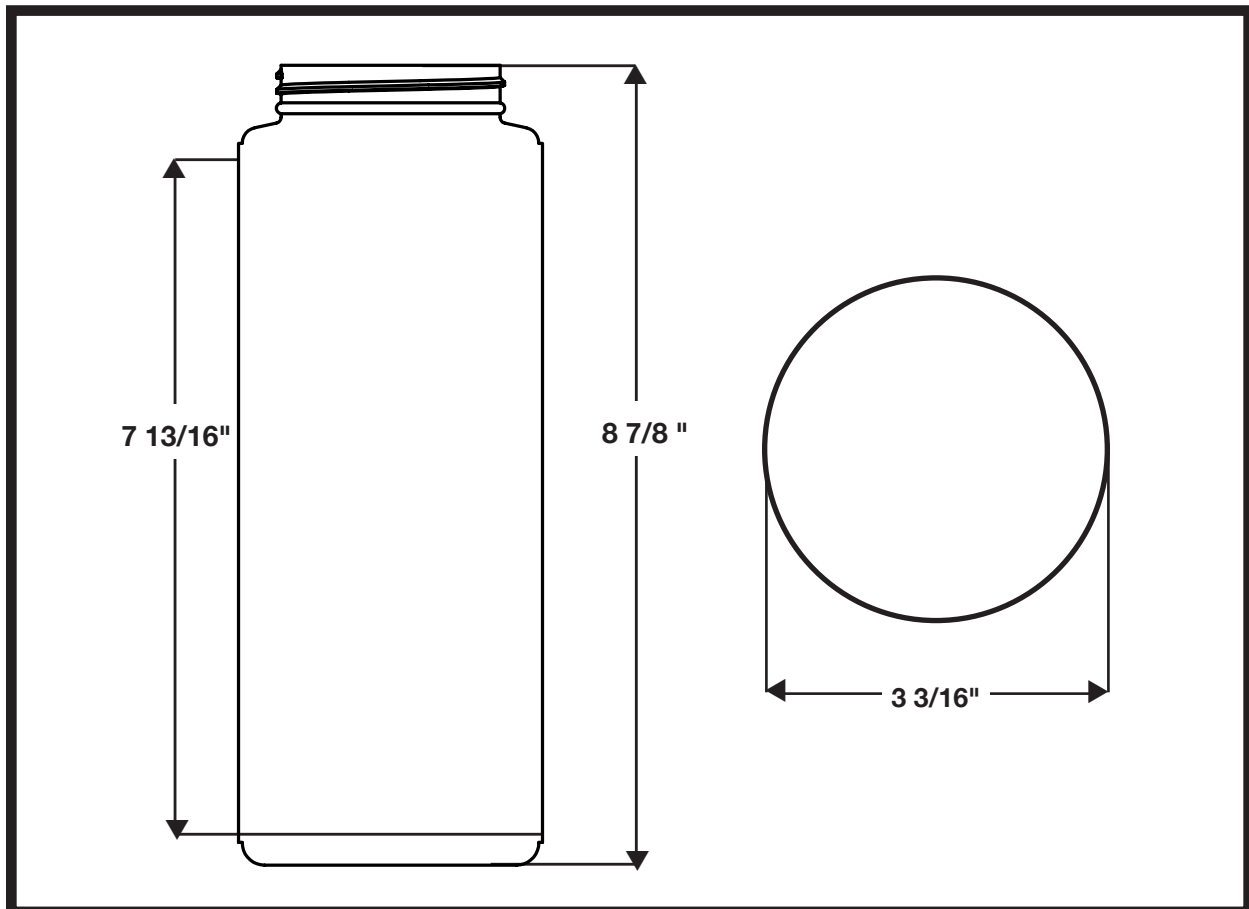


## 32 Ounce Cylinder W/63-485 Rexam Neck



**MATERIAL:** HDPE

**NECK FINISH:** 63-485

**WEIGHT:** 60 GRAMS

**BOTTLE HEIGHT:** 8 7/8"

**BOTTLE PANEL:** 7 13/16"

**DIAMETER:** 3 3/16"

**CAPACITY:** 32 OUNCES



**SILKSCREEN DIMENSIONS:**  
6 3/4" X 9 1/2"

**CASE PACK:** 150 EA.

**UNIT PACK:** 1350 EA