

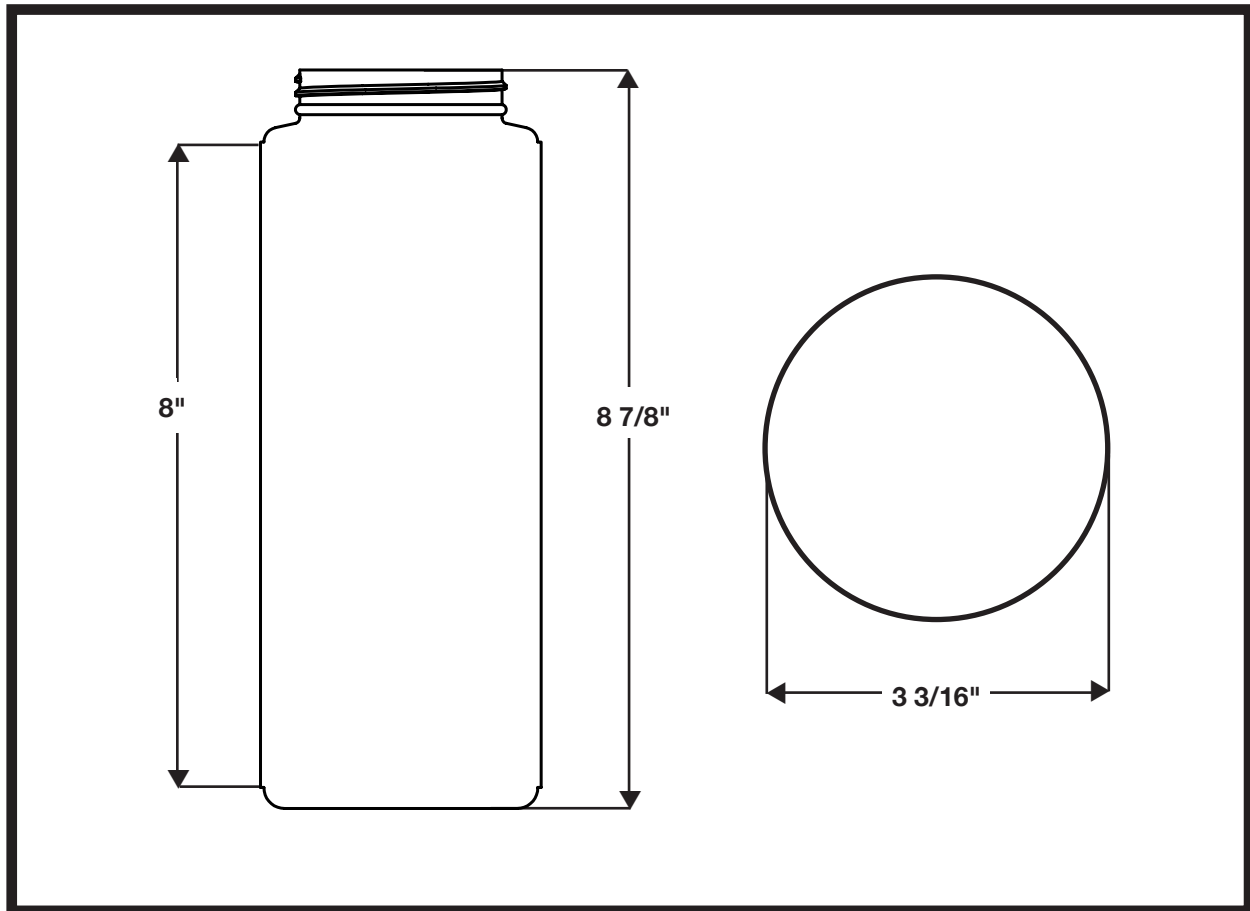


PARAGON PACKAGING INC.

1-800-899-1010

WWW.PARAGON-PACKAGING.COM

32 Ounce Cylinder W/53-400 Neck



MATERIAL: HDPE

NECK FINISH: 53-400

WEIGHT: 52 GRAMS

BOTTLE HEIGHT: 8 7/8"

BOTTLE PANEL: 8"

DIAMETER: 3 3/16"

CAPACITY: 32 OUNCES



SILKSCREEN DIMENSIONS:

6 1/2" X 9 1/5"

CASE PACK: 150 EA.

UNIT PACK: 1350 EA