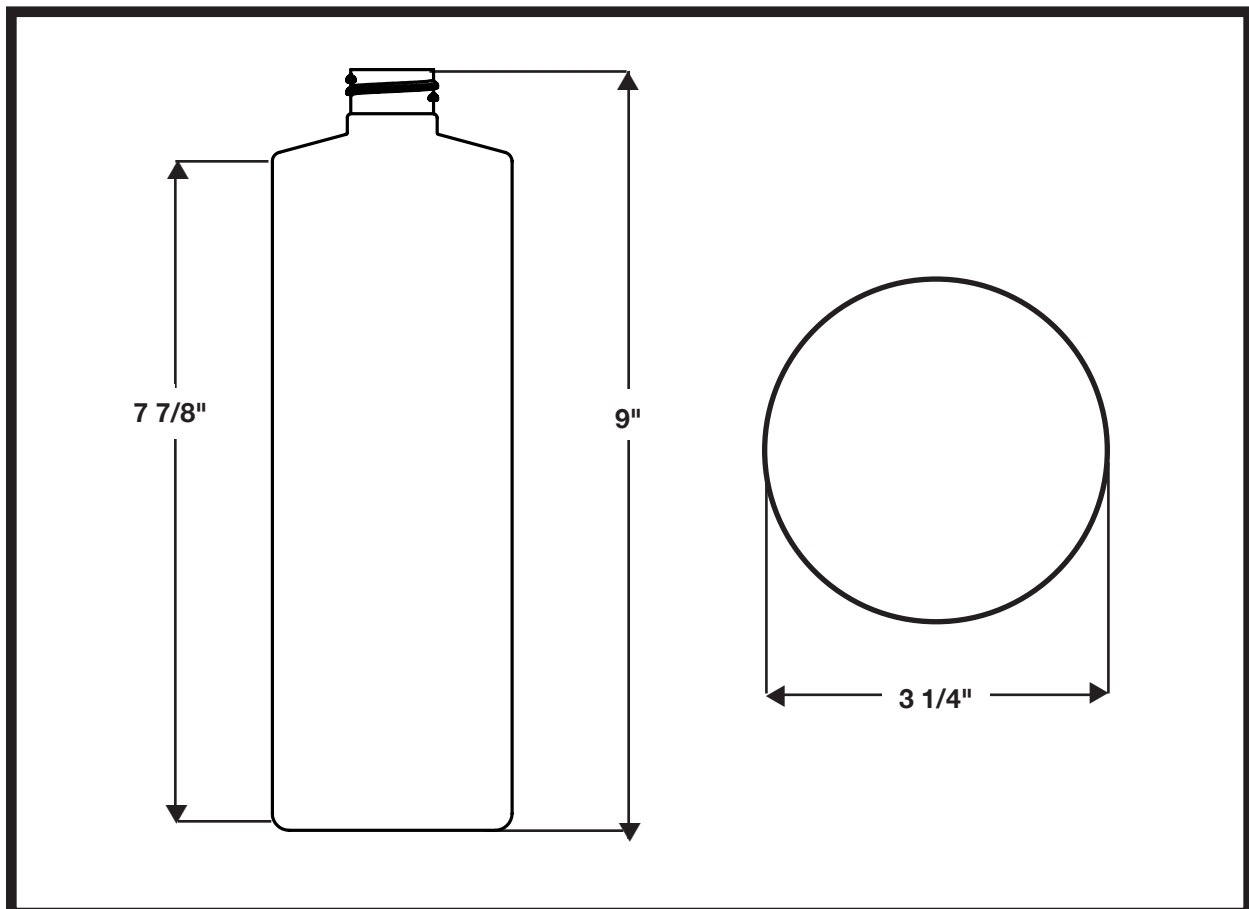


32 Ounce Cylinder 28-410 Neck



MATERIAL: HDPE

NECK FINISH: 28-410, 38-400, 33-400

WEIGHT: 60 GRAMS

BOTTLE HEIGHT: 9"

BOTTLE PANEL: 7 7/8"

DIAMETER: 3 1/4"

CAPACITY: 32 OUNCES



SILKSCREEN DIMENSIONS:

7" Height X 9 1/2" Width

CASE PACK: 150 EA.

UNIT PACK: 1350 EA. BULK
576 EA. 12/1