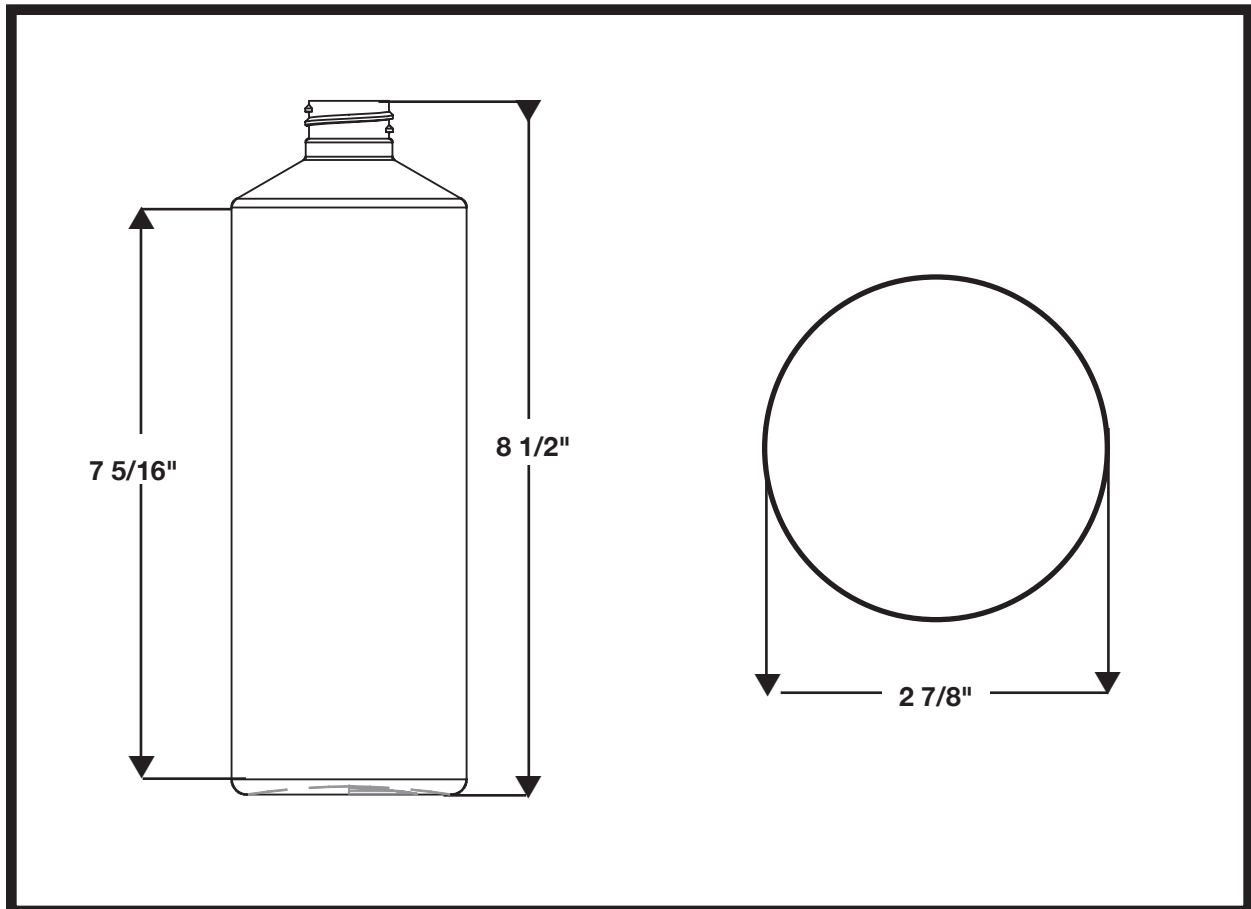


24 Ounce Cylinder



MATERIAL: HDPE

NECK FINISH: 28-410

WEIGHT: 45 GRAMS

BOTTLE HEIGHT: 8 1/2"

PANEL HEIGHT: 7 5/16"

DIAMETER: 2 7/8"

CAPACITY: 24 OUNCES



SILKSCREEN DIMENSIONS:
6 3/4" Height X 8 1/2" Width

CASE PACK, BULK: 198 EA.

UNIT PACK: 1,782 EA.