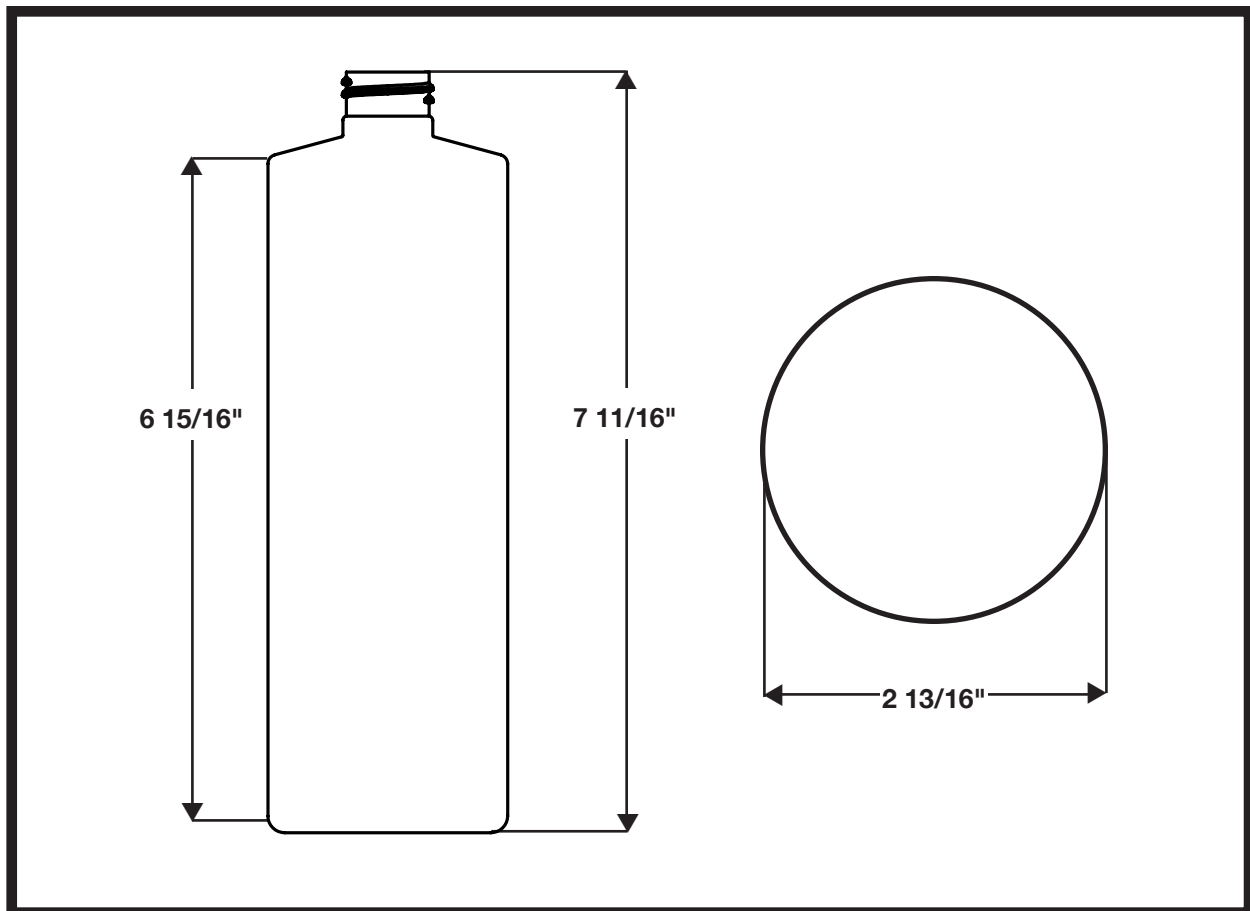


22 Ounce Cylinder



MATERIAL: HDPE

NECK FINISH: 28-410

WEIGHT: 40 GRAMS

BOTTLE HEIGHT: 7 11/16"

PANEL HEIGHT: 6 15/16"

DIAMETER: 2 13/16"

CAPACITY: 22 OUNCES



SILKSCREEN DIMENSIONS:
5" Height X 8" Width

CASE PACK: 215 Ea.

UNIT PACK: 1,935 Ea.