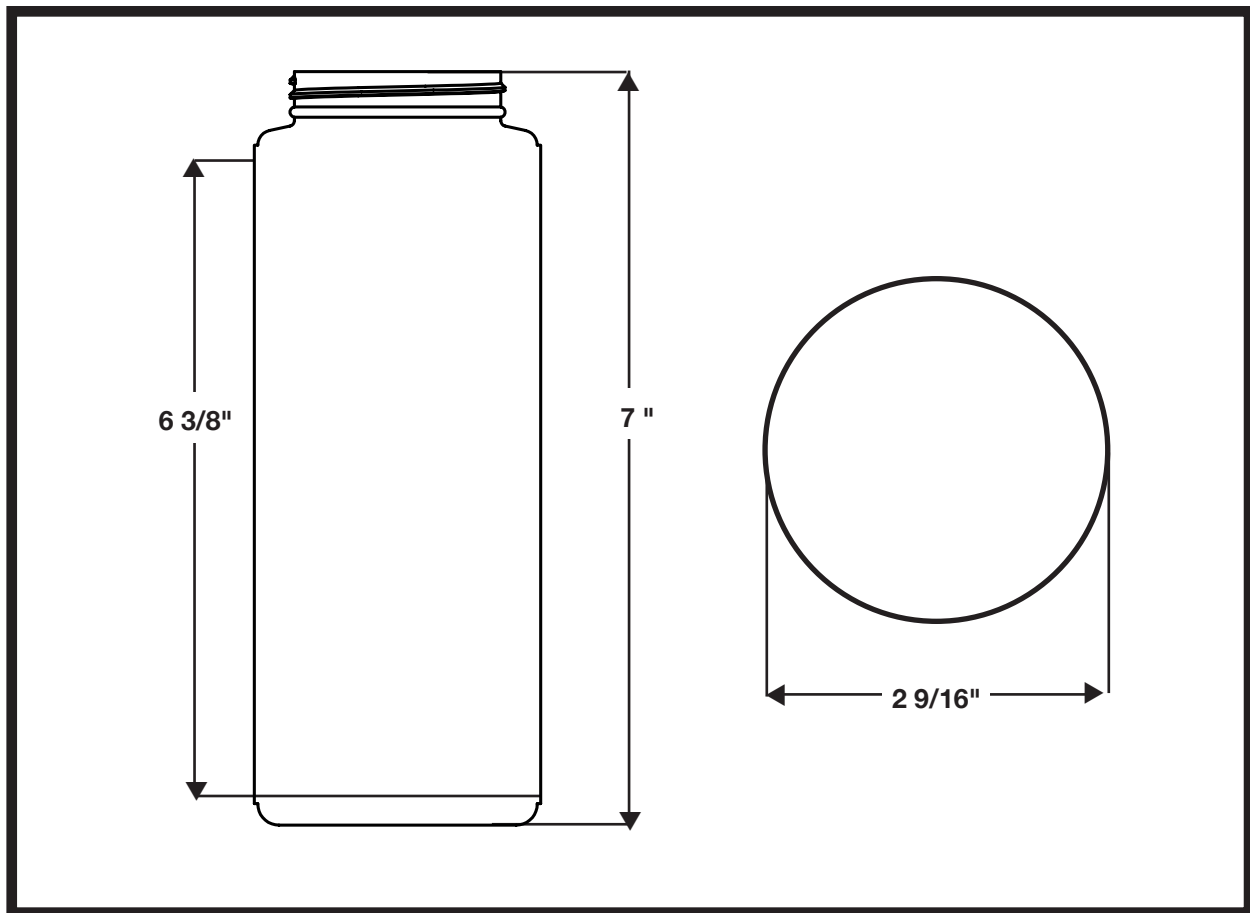


16 Ounce Cylinder 53-400/38-400



MATERIAL: HDPE

NECK FINISH: 53-400, 38-400

WEIGHT: 30 GRAMS

BOTTLE HEIGHT: 7"

PANEL HEIGHT: 6 3/8"

DIAMETER: 2 9/16"

CAPACITY: 16 OUNCES



SILKSCREEN DIMENSIONS:

7" Width x 5 1/4" Height

CASE PACK: 192 Ea.

UNIT PACK: 3,072 Ea.