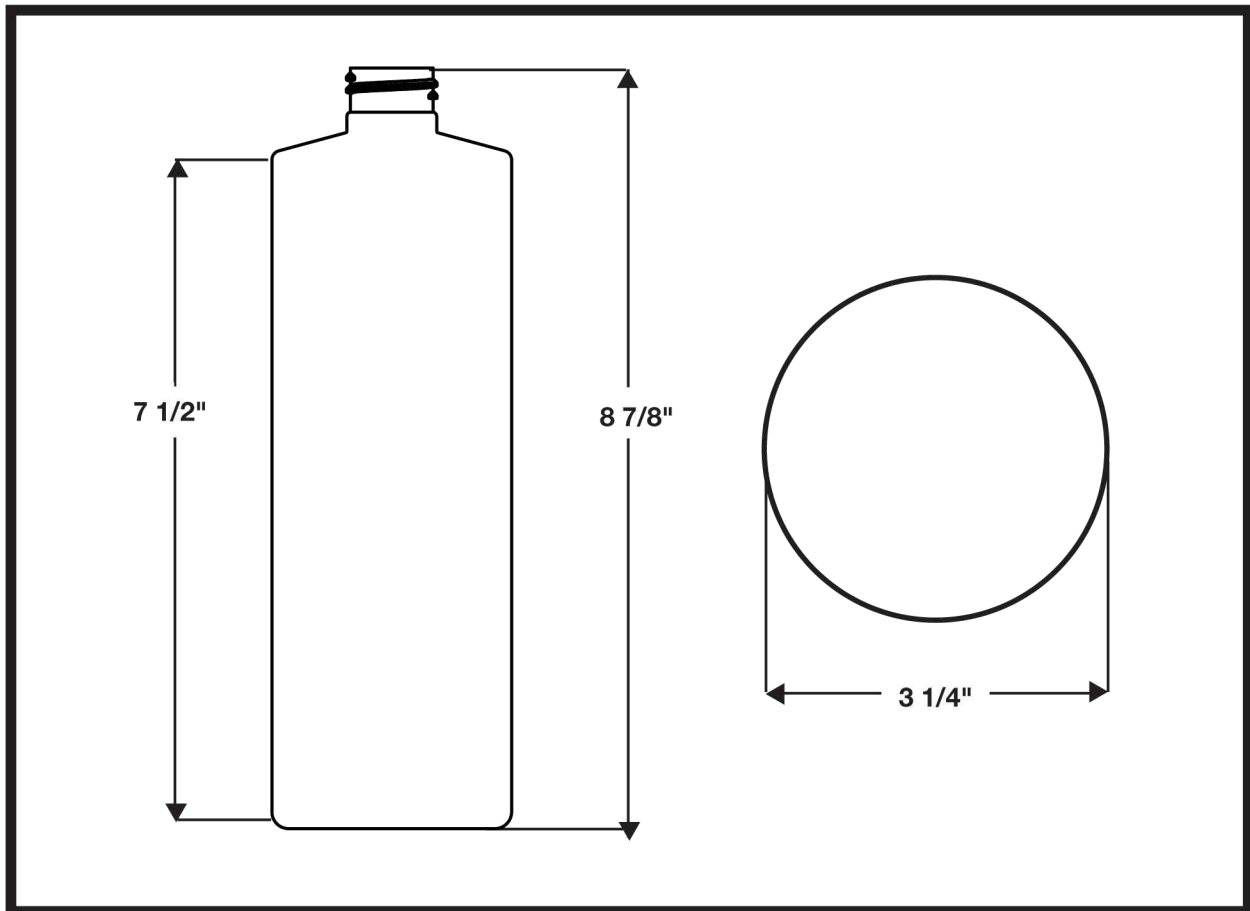


## ONE LITER CYLINDER



**MATERIAL:** HDPE

**NECK FINISH:** 28-410, 38-400, 33-400

**WEIGHT:** 60 GRAMS

**BOTTLE HEIGHT:** 8 7/8"

**BOTTLE PANEL:** 7 1/2"

**DIAMETER:** 3 1/4"

**CAPACITY:** 32 OUNCES



**SILKSCREEN DIMENSIONS:**

7" Height X 9 1/2" Width

**CASE PACK:** 150 EA.

**UNIT PACK:** 1350 EA. BULK  
576 EA. 12/1