

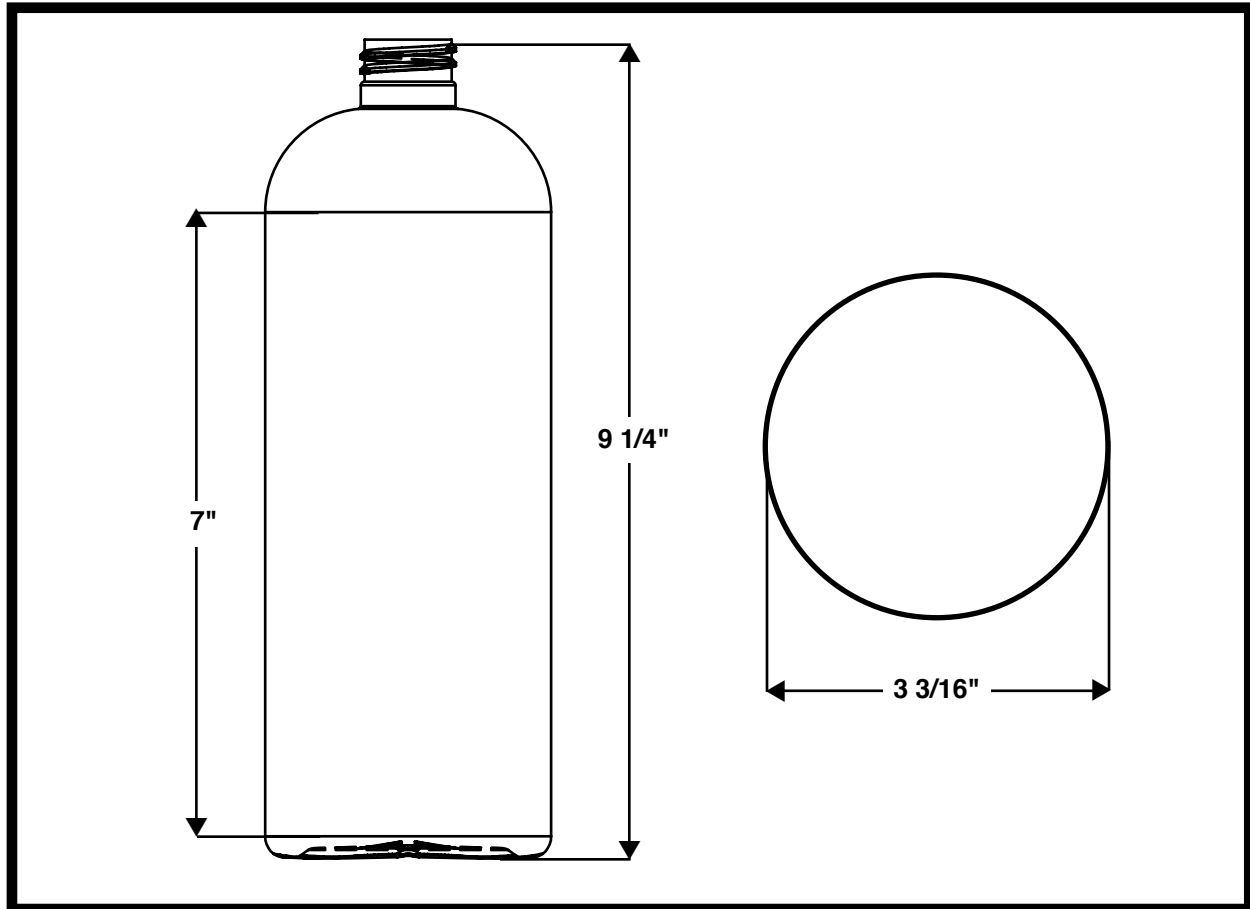


PARAGON PACKAGING INC.

1-800-899-1010

WWW.PARAGON-PACKAGING.COM

32 Ounce / 1 Liter Bullet



MATERIAL: HDPE

NECK FINISH: 28-410

WEIGHT: 60 GRAMS

BOTTLE HEIGHT: 9 1/4"

BOTTLE PANEL: 7"

DIAMETER: 3 3/16"

CAPACITY: 32 OUNCES / 1 LITER



SILKSCREEN DIMENSIONS:

6 1/2" Height X 9 1/2" Width

PACK: 98 Per Case

CASE: Small Bulk

UNIT PACK: 1,568 EA.