

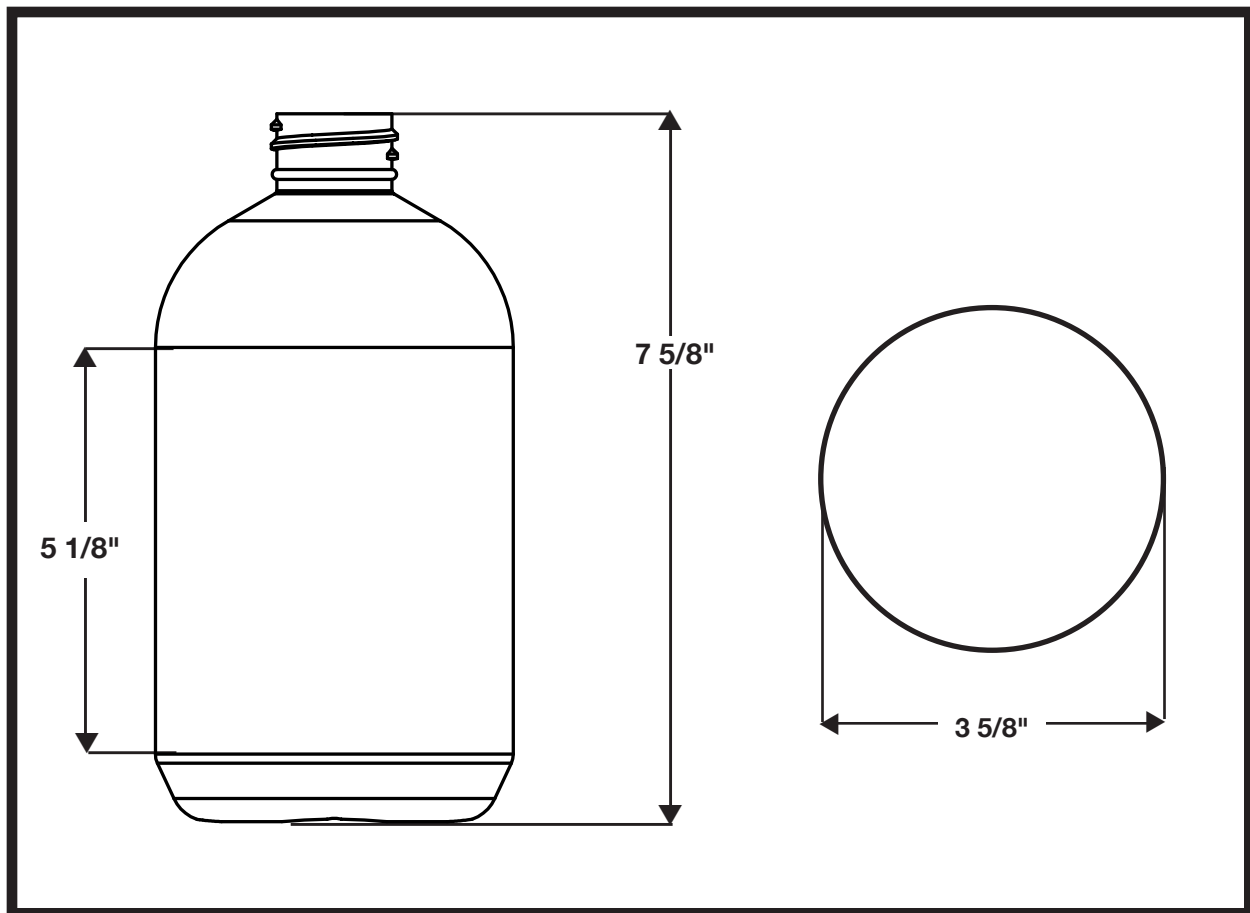


**PARAGON PACKAGING INC.**

**1-800-899-1010**

**WWW.PARAGON-PACKAGING.COM**

## 32 Ounce Boston Round



**MATERIAL:** HDPE

**NECK FINISH:** 28-410, 38-400  
33-400

**WEIGHT:** 50 GRAMS

**PANEL HEIGHT:** 7 5/8"

**PANEL WIDTH:** 5 1/8"

**DIAMETER:** 3 5/8"

**CAPACITY:** 32 OUNCES



**SILKSCREEN DIMENSIONS:**

10 1/2" Width x 4 1/2" Height

**CASE PACK:** 120 Ea.

**UNIT PACK:** 1,080 EA.