

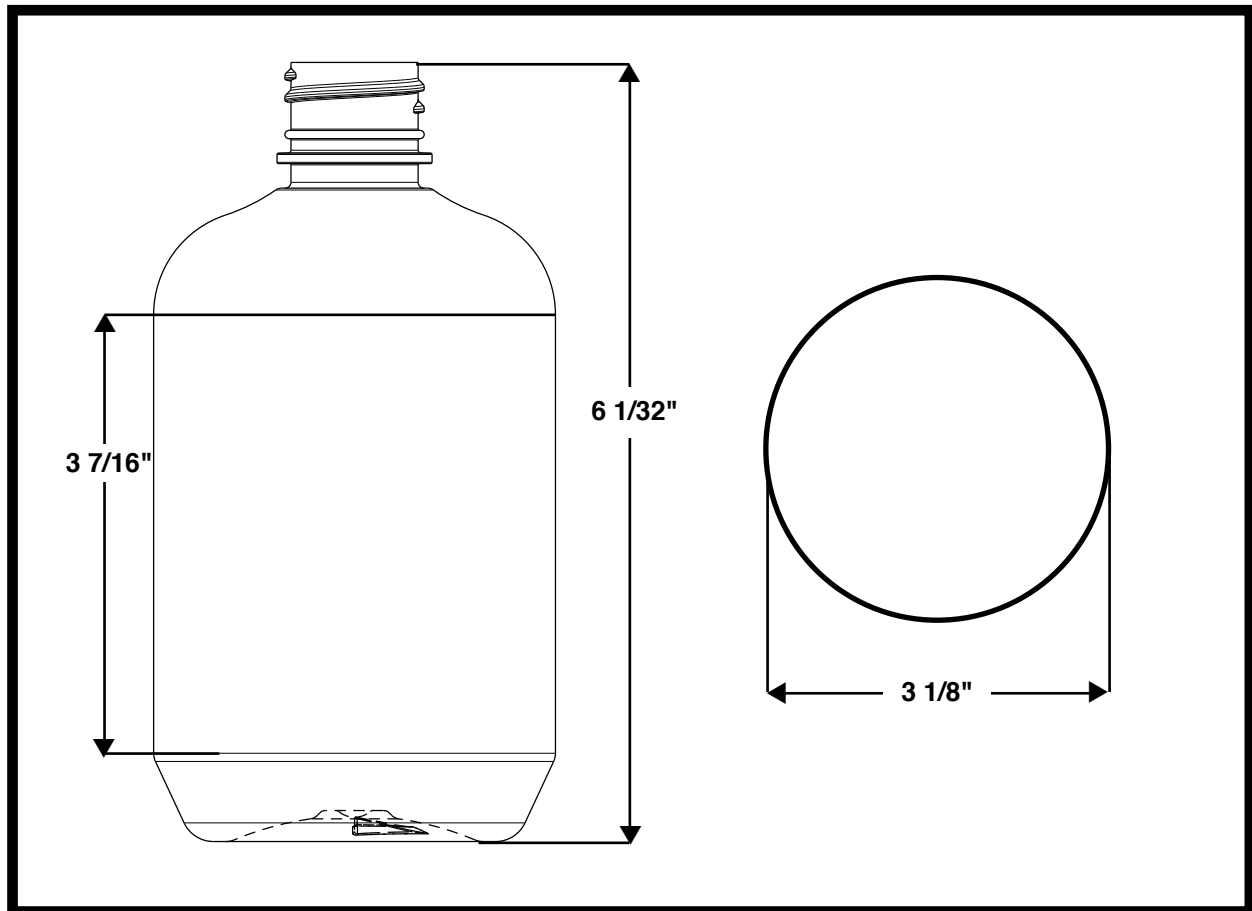


**PARAGON PACKAGING INC.**

**1-800-899-1010**

**WWW.PARAGON-PACKAGING.COM**

## 16 OZ. / 18 OZ. Boston Round PET



**MATERIAL: PET**

**NECK FINISH: 28-410**

**WEIGHT: 45 GRAMS**

**BOTTLE HEIGHT: 6 1/32"**

**BOTTLE PANEL: 3 7/16"**

**DIAMETER: 3 1/8"**

**CAPACITY: 16 OZ./18 OZ.**



**SILKSCREEN DIMENSIONS: 3 1/4" X 9 1/2"**

**CASE PACK: 147 EA.**

**UNIT PACK: 2352 BULK**